

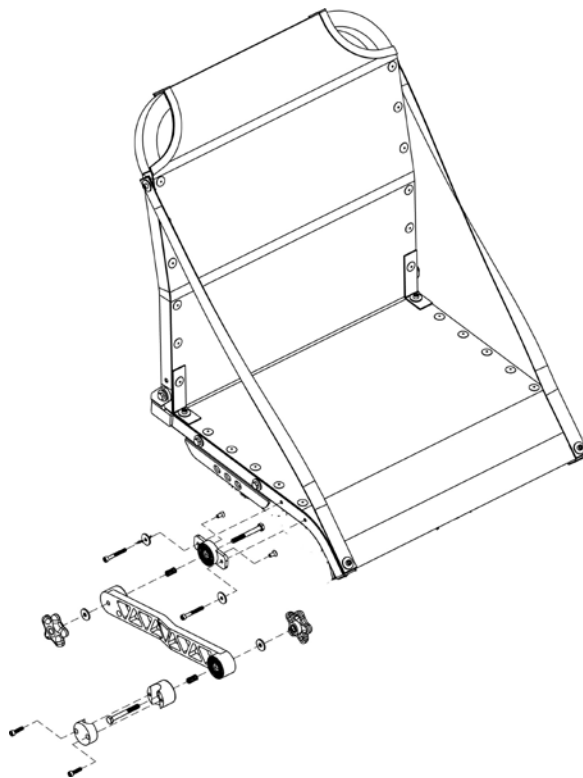


INSTALLATION INSTRUCTIONS FOR G-101 Extended Shooting Stick Mount.

The G-101 can be mounted on the left or the right side of the seat.

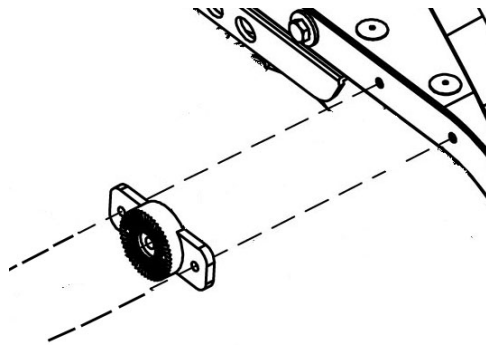
Works best if used with Primos GEN 2 Model 65801 Trigger Stick.

1. Millennium G-100, G-200 and M-360 seats are pre-drilled for the G-101, all you need to do is bolt to the seat as seen in (IMAGE 1). NOTE: On the G-100 there are bolts that hold the storage bag under the seat, simply remove the bolts holding the bag on and the shooting stick mount will mount in the same holes.



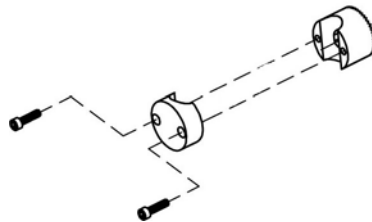
(IMAGE 1)

If you wish to use on a seat that is not pre-drilled just use the G-101 mount as a template and drill two 3/16” holes for mounting, as seen in (IMAGE 2).



(IMAGE 2)

2. To install the shooting stick to the mount simply remove the mount cap by removing the two 10- 24 bolts from the mount and insert the trigger stick and reinstall the cap as seen in (IMAGE3).



(IMAGE 3)

After installation you can move the mount in what ever position fits your hunting needs and move back parellell to the seat for packing and transport.

If you have any questions please contact:

**Millennium Outdoors 201 Fairmont Plaza Pearl, Ms 39208
Phone 601-932-5832 FAX 601-932-0068
www.millenniumstands.com**