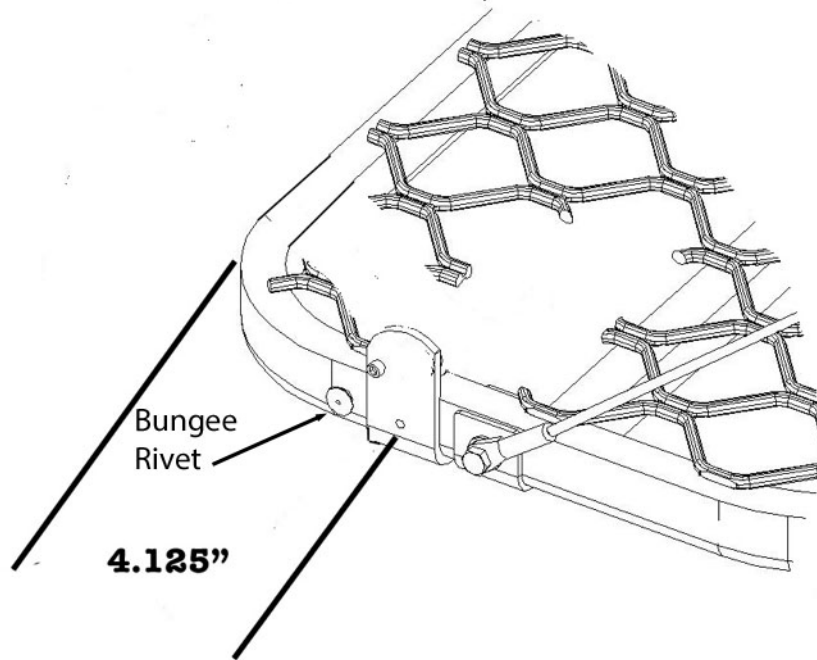


Installation Instructions for:

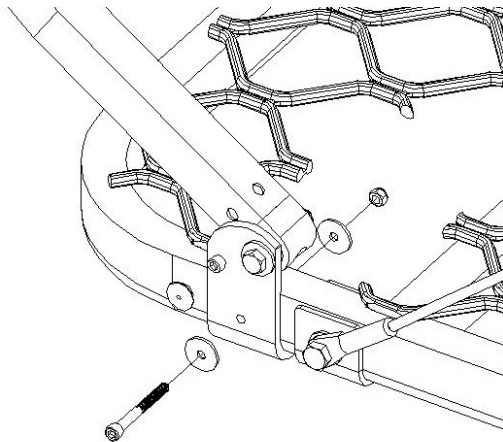
MILLENNIUM M-105 Footrest for the M-100U

1. Using the footrest mounting bracket as a template drill a 3/16 inch hole thru the platform frame 4 1/4 inches from the front of the platform as seen in Image 1.
Sometimes it may be necessary to remove the bungee rivet in order to position the foot rest bracket, if so drill the rivet out with a 3/16" bit.



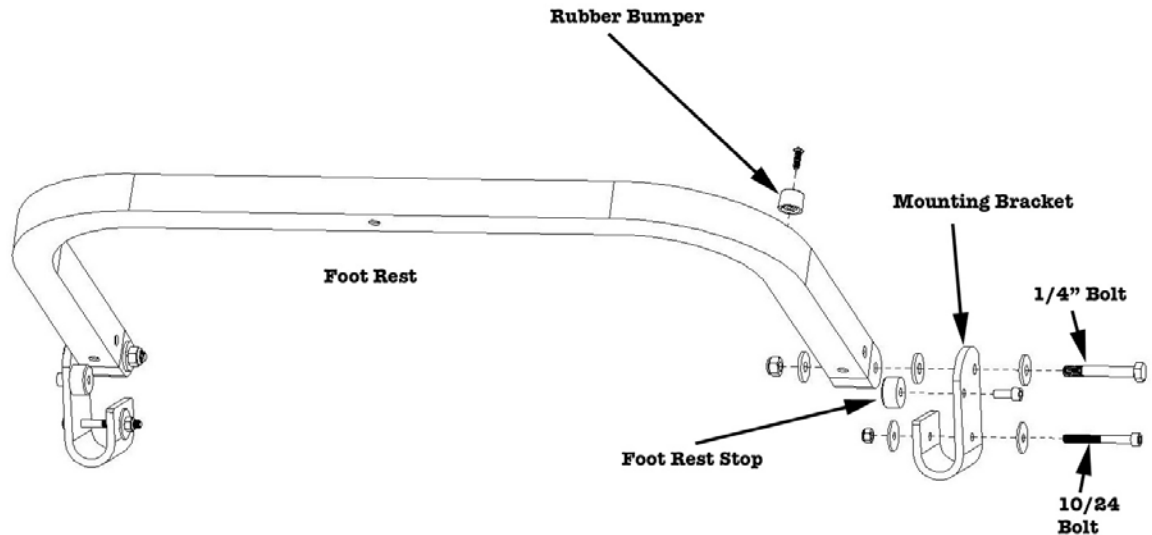
(Image 1)

2. After drilling the hole attach the mount to the platform using the 10/24 bolts nut and washers provided. As seen in Image 2.



(Image 2)

M-105 Footrest Parts.



WARNING!!!

The foot rest is not designed to support your weight, never step or stand on the foot rest as this can cause damage to the footrest and could cause serious injury or death.

Be careful not to trip on the footrest when it is folded flat on platform as this could cause you to fall which can cause serious injury or death.

As with any treestand always stay connected to the tree with a fall restraint system certified to TMA standards from the time you leave the ground until the time you return, failure to do so could cause serious injury or death.

If there is anything you do not understand about these instructions contact:

**Millennium Outdoors 601-932-5832 or on the web,
www.millenniumstands.com**