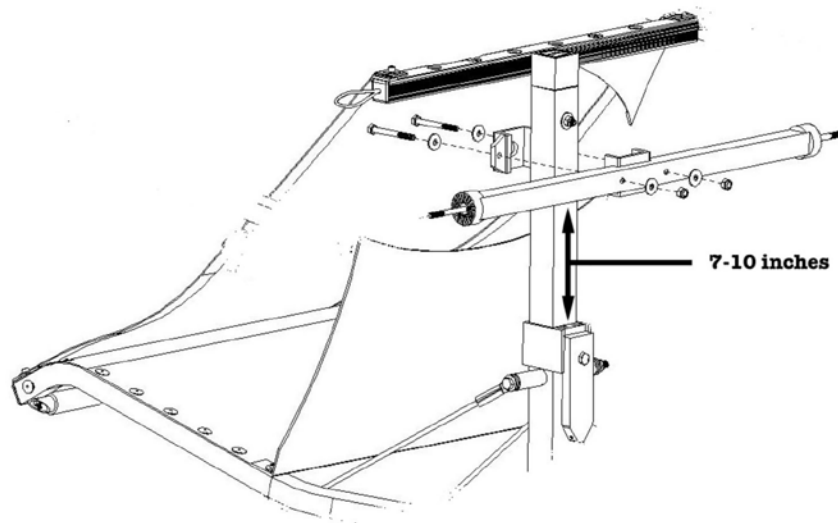


M-101 Shooting Rest.

For use on M-100 U and M-150 treestands.

1. Attach the shooting rail support frame to the upright of the stand using the two $\frac{1}{4}$ " bolts washers and nuts provided. Attach 7 to 10 inches above the tongue as seen in Image (1)



2. Connect the two sections of shooting rail together using two $\frac{3}{16}$ bolts and nuts provided as seen in Image (2).

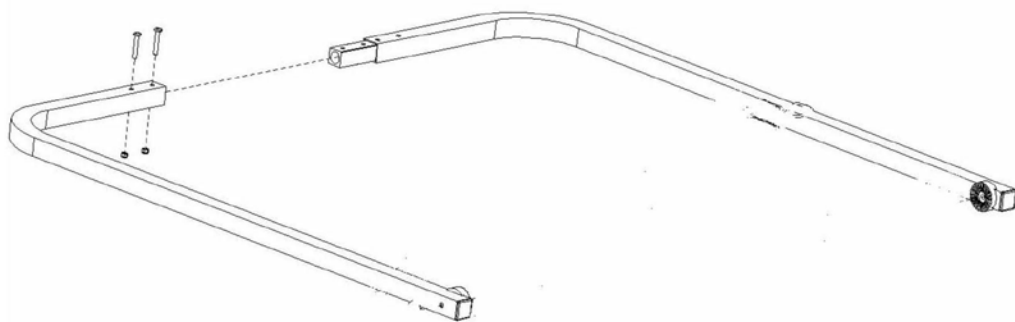


Figure (2)

3. Attach the shooting to the support frame using knobs and washers as seen in Figure (3)

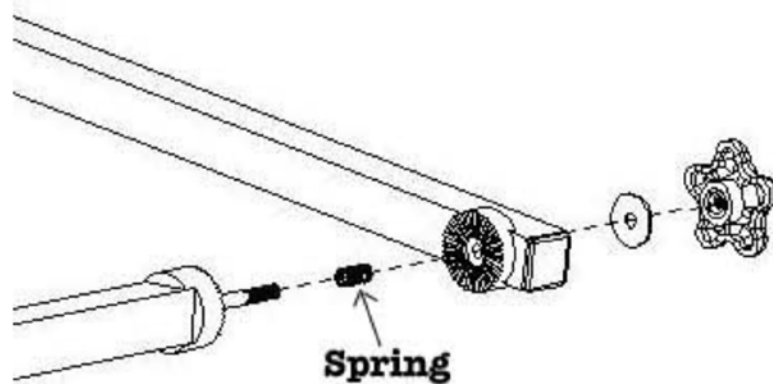


Figure (3)

4. Wrap rail pad around shooting rail and secure with the velcro.
5. Make sure the knobs are tight when using the shooting rail to prevent it from slipping.

WARNING!! The shooting rail is not designed to be a safety rail and will not prevent you from falling from stand.

You shall not use it as a hand hold to enter or exit the stand.

The shooting rail will not support your weight so do not lean or sit on shooting rail.

Failure to heed these warnings can result in serious injury or death.

Should you have any questions contact:

Millennium Outdoors 201 Fairmont Plaza Pearl, Ms 39208. Phone 601-932-5832 or visit us on the web millenniumstands.com