



# MILLENNIUM ANTLER SHAK MODEL # GB-030-06 INSTRUCTION MANUAL



Should you have any questions about the installation and/or use of this product, or any other Millennium product(s) do not hesitate to call one of our customer service representatives at (601) 932-5832 or visit us online at [millenniumstands.com](http://millenniumstands.com). Our service representatives will answer any questions you may have about any of the complete line of Millennium products.

Thank you for your purchase of this quality Millennium product! To ensure your personal safety, please take a moment to carefully read this product Instruction Manual in its entirety before attempting to set-up, install and/or otherwise use this Millennium product. Failure to do so could result in serious personal injury or death! This Millennium product has been designed, engineered and manufactured to provide you with years of trouble free service.

## **ATTENTION!!**

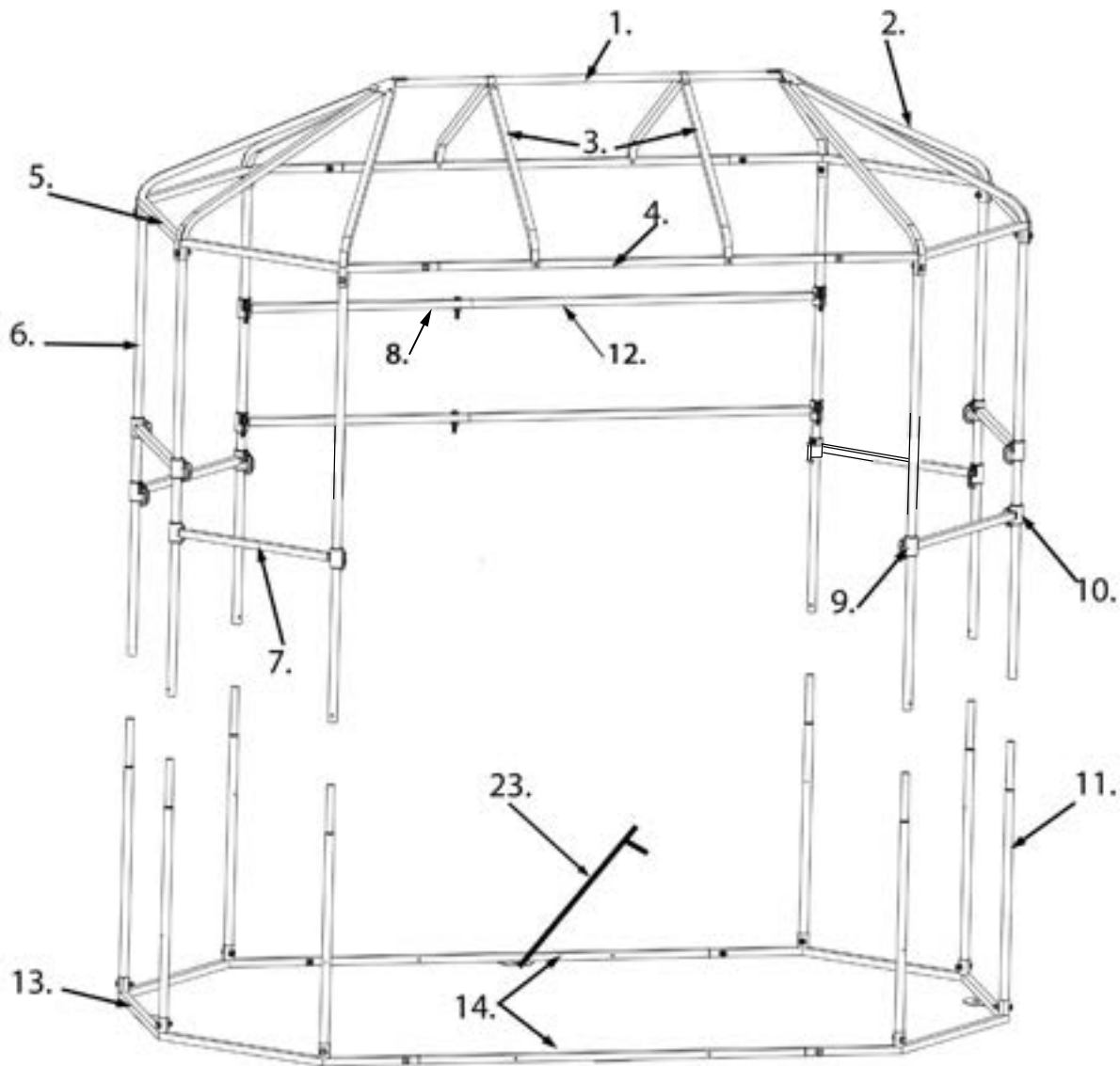
WHEN YOU SEE A "WARNING!" BE SURE TO HEED THE MESSAGE! THE INFORMATION CONTAINED IN THESE MESSAGES CAN SAVE YOUR LIFE!!

## SPECIAL USE CONSIDERATIONS

-  **WARNING:** Your Millennium Buck Blind is equipped with adjustable shooting rails. The adjustable shooting rail for use on the window in the door must be kept above the top of the entry/exit door at all times when entering and exiting the blind. Never attempt to step over it or use it as a hand hold/handle/grab when entering or exiting the blind.
-  **WARNING:** Caution must be exercised when entering or exiting the blind as you are stepping over the blind fabric covering. Failure to follow these instructions may result in serious injury or death.
-  **WARNING:** Your Buck Blind fabric cover is made of a fire retardant material. It is, however NOT FIRE PROOF. Extreme caution must be paid to keep any heat producing devices (e.g., space heaters, hand warmers, etc.) away from the fabric covering .
-  **WARNING:** Do not use a heat source that produces carbon monoxide or does not have an O.D.S. (oxygen depletion system) inside the blind.
-  **WARNING:** Never attempt to use the blind when winds exceed 20 miles per hour. High wind gust increase the risk of blind toppling over.
-  **WARNING:** Never attempt to use the blind without anchoring to the ground properly with the stakes provided.
-  **WARNING:** If you decide to use the blind on an existing platform it is the sole responsibility of the user to assure the integrity and safety of the platform and that the blind and platform are anchored sufficiently. Failure to follow these instructions may result in serious injury or death.
-  **WARNING:** Never lean against any of the shooting rails as they are designed as a gun rest and not a safety device. Maximum capacity of the shooting rails is 20 pounds.

# MILLENNIUM BUCK BLIND INSTRUCTION MANUAL (MODEL# GB-030-06)

## PARTS LIST



PLEASE READ THIS MANUAL IN ITS ENTIRETY PRIOR TO USING THIS PRODUCT!

PLEASE READ THIS MANUAL IN ITS ENTIRETY PRIOR TO USING THIS PRODUCT!



	Description	Part Number	Size	Quantity
1	Roof Ridge	Z-200-01		1
2	Roof Ribs (End)	Z-200-02		8
3	Roof Ribs (Front and Back)	Z-200-03		4
4	Roof Main Frame (Front and Back)	Z-200-04		2
5	Roof Main Frame Ends	Z-200-05		2
6	Uprights (Long)	Z-030-01		8
7	Shooting Rail (Short)	Z-200-07		6
8	Long Shooting Rail (Long Section)	Z-200-38		2
9	Shooting Rail Cam lock (Right)	Z-200-09		9
10	Shooting Rail Cam Lock (left)	Z-200-10		9
11	Upright (Short)	Z-200-11		8
12	Long Shooting Rail (Short section)	Z-200-39		2
13	Bottom Frame Ends	X-100-01		2
14	Bottom Main Frame Front and Back	X-100-02		2
15	Ground Stake Anchor	Z-200-34		4
16	Socket Head Bolt	Z-124-02	$\frac{1}{4}$ " x 1-3/4"	40
17	Hex Head Bolt	Z-124-07	$\frac{1}{2}$ " x 1"	2
18	Flat Washer	Z-123-46	$\frac{1}{4}$ "	24
19	Ny-Loc Nut	Z-123-31	$\frac{1}{4}$ "	43
20	Fabric Side Cover	Z-030-02	600 x600 Polyester	1
21	Fabric Top	Z-030-03	600 x600 Polyester	1
22	Upright U Shaped Backer plate	Z-200-41		16
23	Anchor Stake	Z-200-34		4

## ASSEMBLY

Tools needed: Two 7/16" wrenches and one 5/32 hex key wrench.

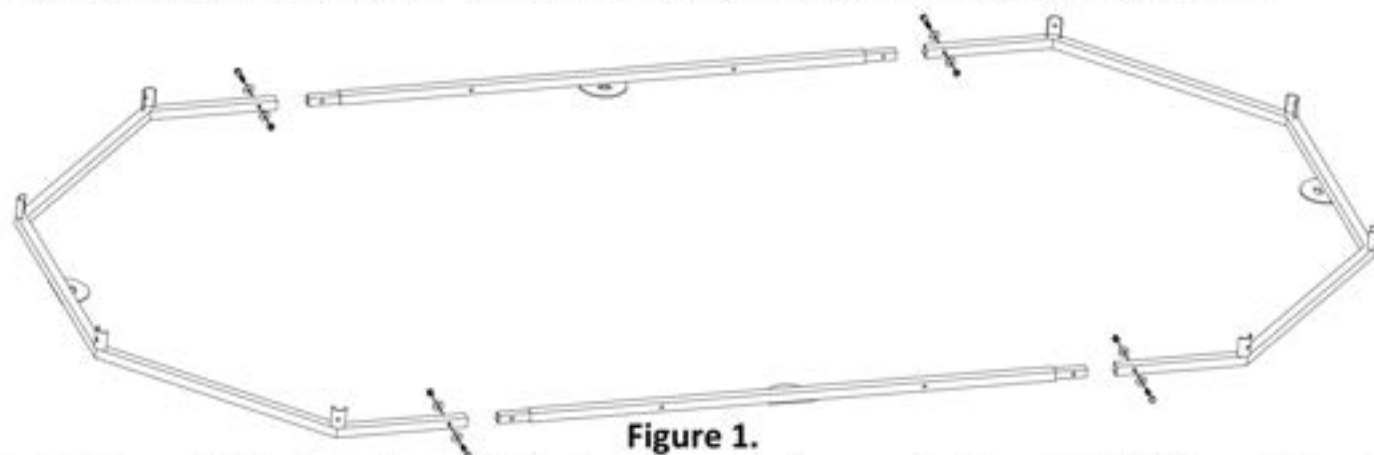
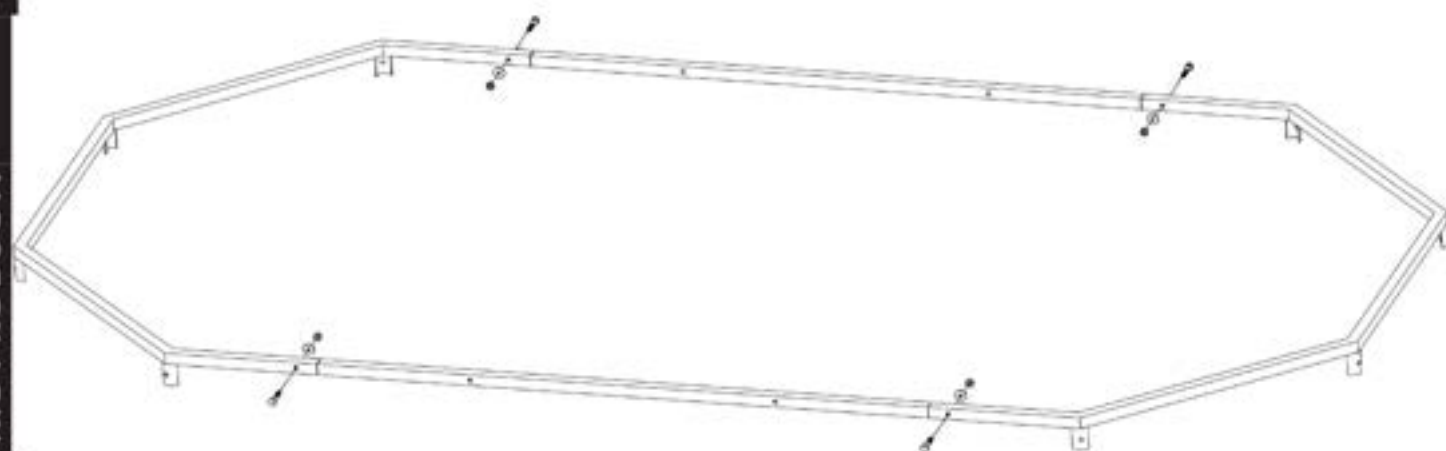


Figure 1.

**Step 1.** Assemble the four pieces of the bottom main frame using four  $\frac{1}{4}$  x 1-3/4" socket head screws, four washers and four nuts. **Place washers under the nuts only- no washers under the head of screws.** Tighten all nuts. Note: the bottom frame has the four plates for anchoring to the ground. as seen in Figure 1



Socket Head Bolt

Figure 2.

**Step 2.** Assemble the four pieces of the roof main frame using four  $\frac{1}{4}$  x 1- $\frac{3}{4}$ " socket head screws, four washers and four nuts. **Place washers under the nuts only- no washers under the head of screws.** Tighten all nuts as seen in Figure 2.

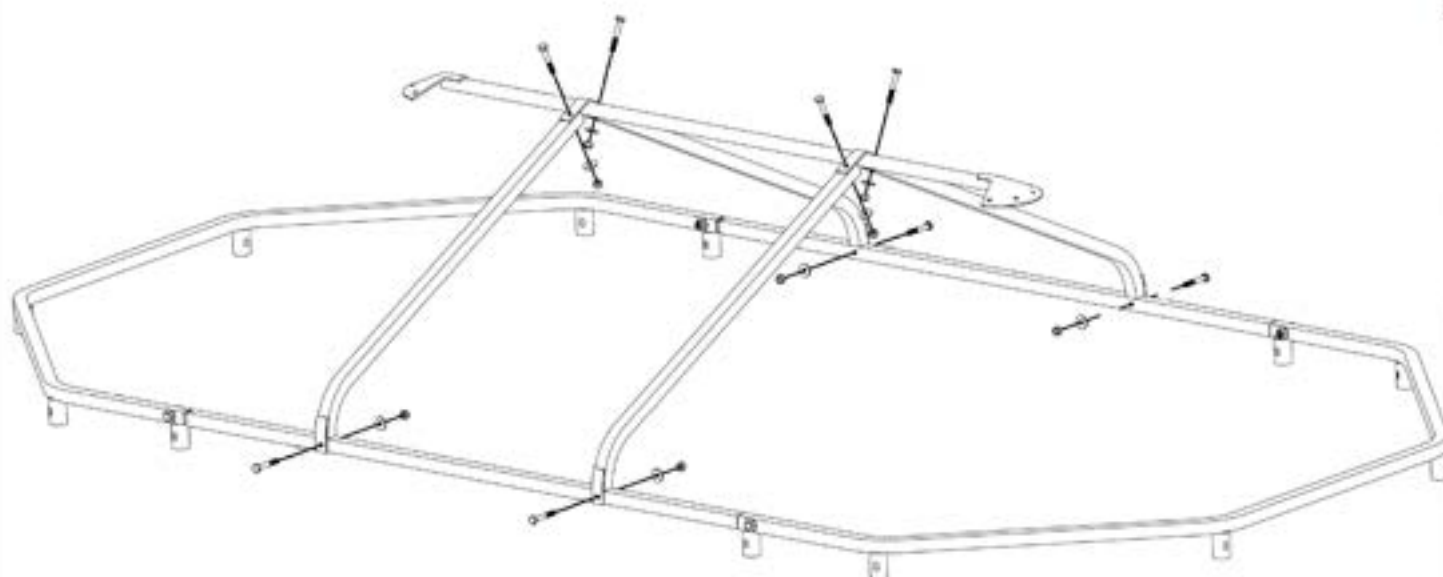


Figure 3.

**Step 3.** Assemble the four front and rear roof ribs to the roof main frame and the roof ridge using eight  $\frac{1}{4}$ " x 1- $\frac{3}{4}$ " socket head bolts, eight washers and eight nuts. **Place washers under the nuts only, none under head of bolt as seen in Figure 3.** Snug the nuts but do not tighten them at this time.

Note: The front and rear ribs are shorter than the end ribs used in Step 3.

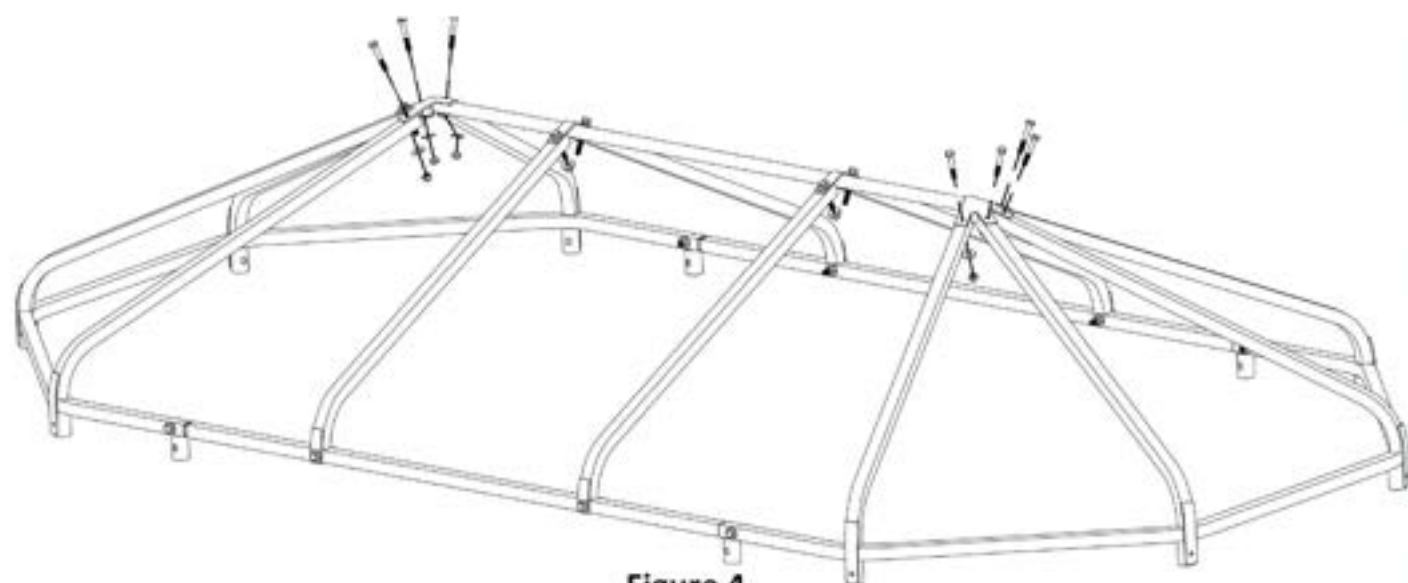


Figure 4.

**Step 4.** Assemble the eight end roof ribs to the roof ridge using eight  $\frac{1}{4}$ " x 1-3/4" socket head bolts, eight washers and eight nuts. **Place washers under the nuts only.**

Do not attach the roof ribs to the roof main frame at this time, they will be bolted later when you install the uprights.

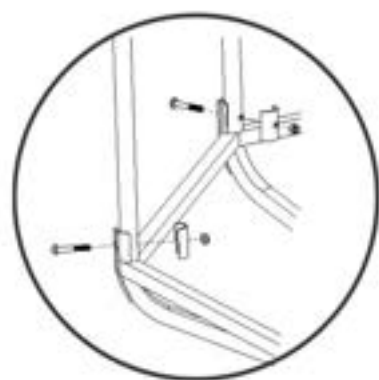


Figure 5-A.

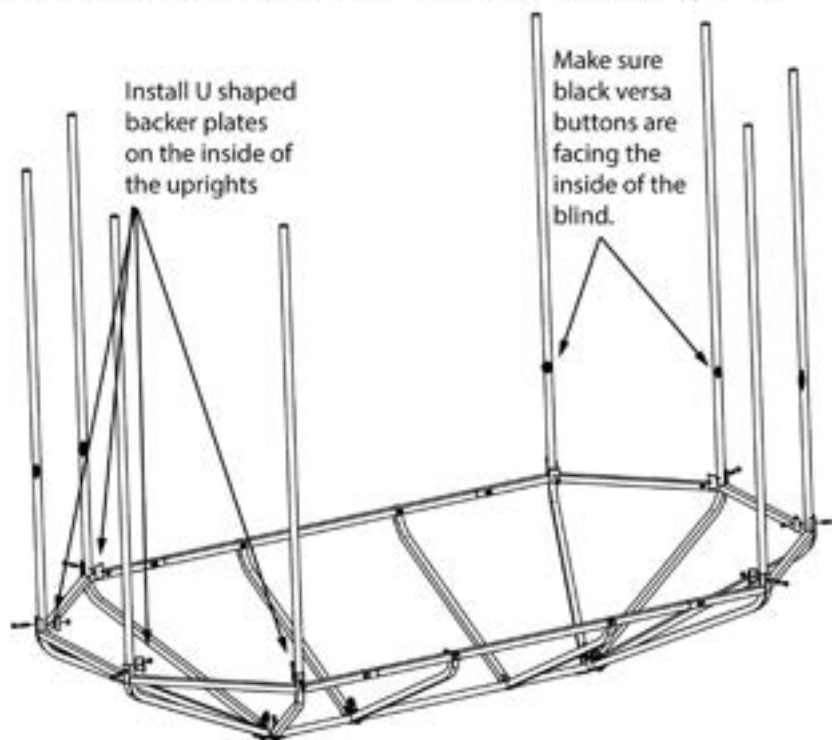


Figure 5-B

**Step 5.** Turn the roof assembly upside down and install the long uprights onto the roof assembly using eight  $\frac{1}{4}$  x 1-3/4" socket head bolts, eight U shaped backer plates and eight nuts as seen in Figure 5-A. Make sure versa buttons are facing the inside of the blind as seen in Figure 5-B

**No washer under head of bolts or nuts as seen in Figure 5-A.** Tighten all the nuts on the complete assembly.





Figure 6

**Step 6.** Assemble the 2 long shooting rails using  $\frac{1}{4}$ " x 1" bolts and  $\frac{1}{4}$ " nuts. No washers under the head of bolts or under the nuts as seen in Figure 6.

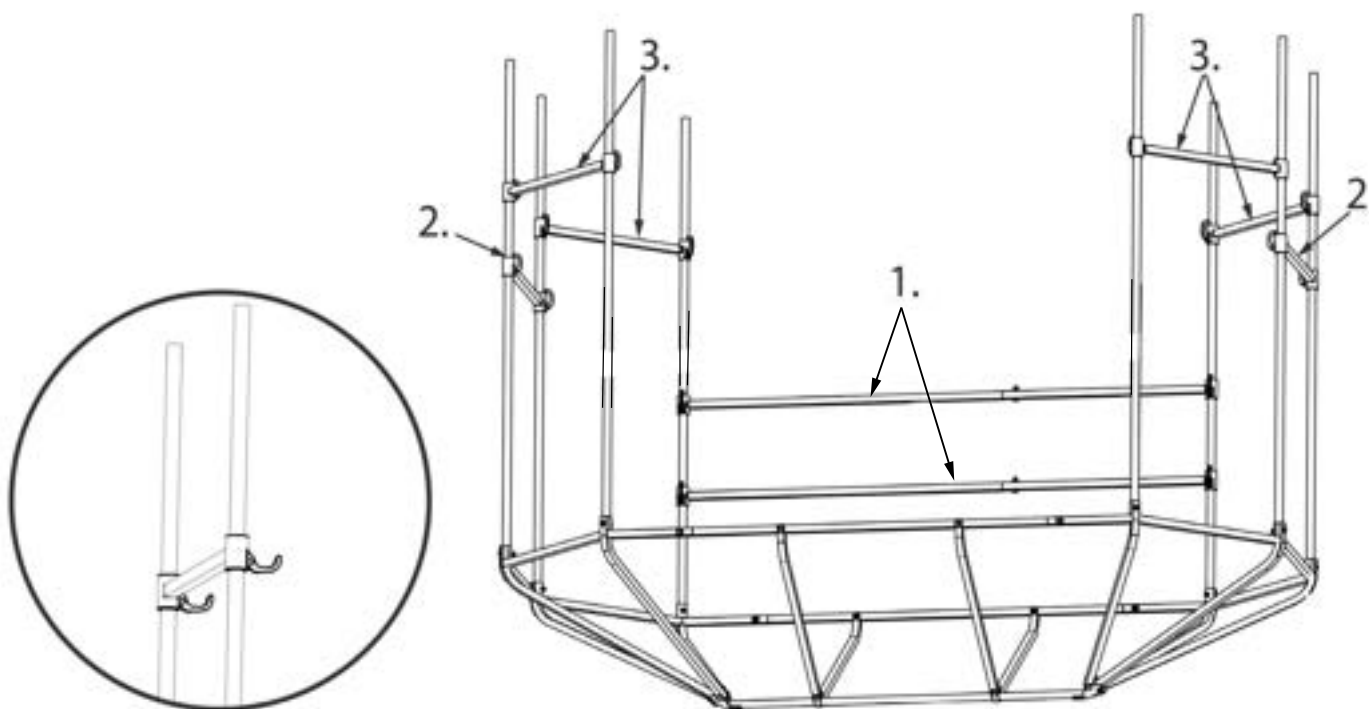


Figure 7-A

Figure 7-B

**Step 7.** Open the cam lever while inserting on the upright as seen in Figure 7A. Failure to do so can damage the cam locks. Place all the shooting rails on the long uprights in the order shown in Figure 7-B. Slide all the shooting rails about half way down the uprights and lock into position.

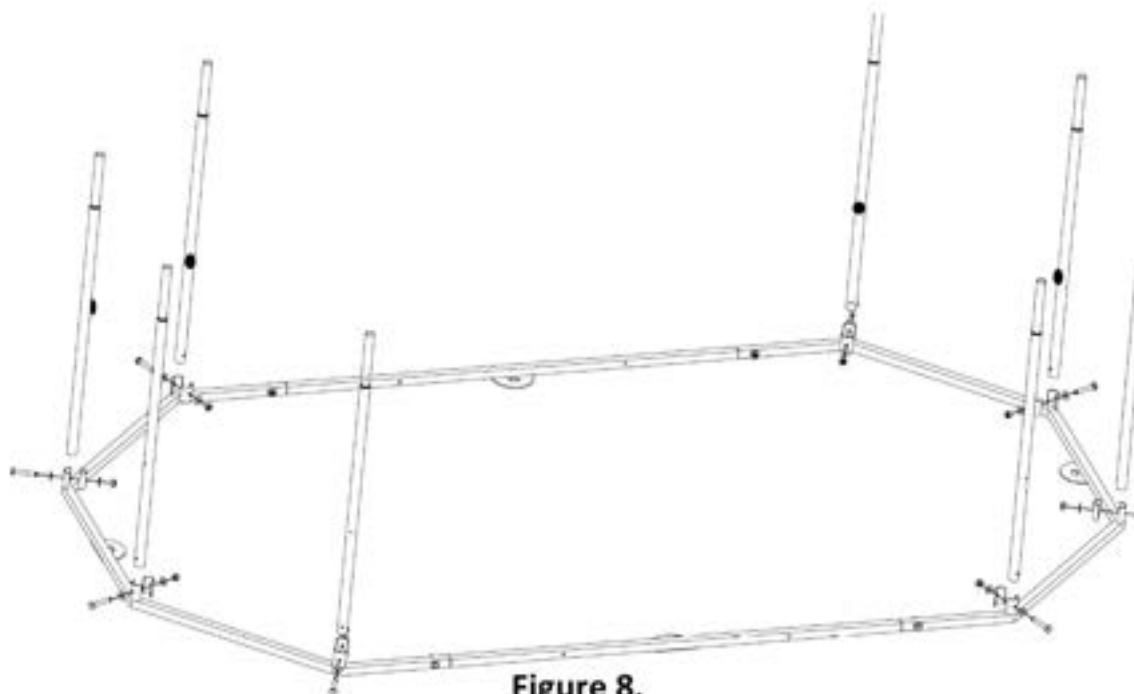


Figure 8.

**Step 8.** Install all the short uprights to the bottom main frame using eight  $\frac{1}{4}$ " x 1-3/4" socket head bolts, eight nuts, **no washers under the head of bolt or nuts**. Make sure the black versa buttons are facing the inside of the blind as seen in Figure 8. Tighten all bolts on the assembly.

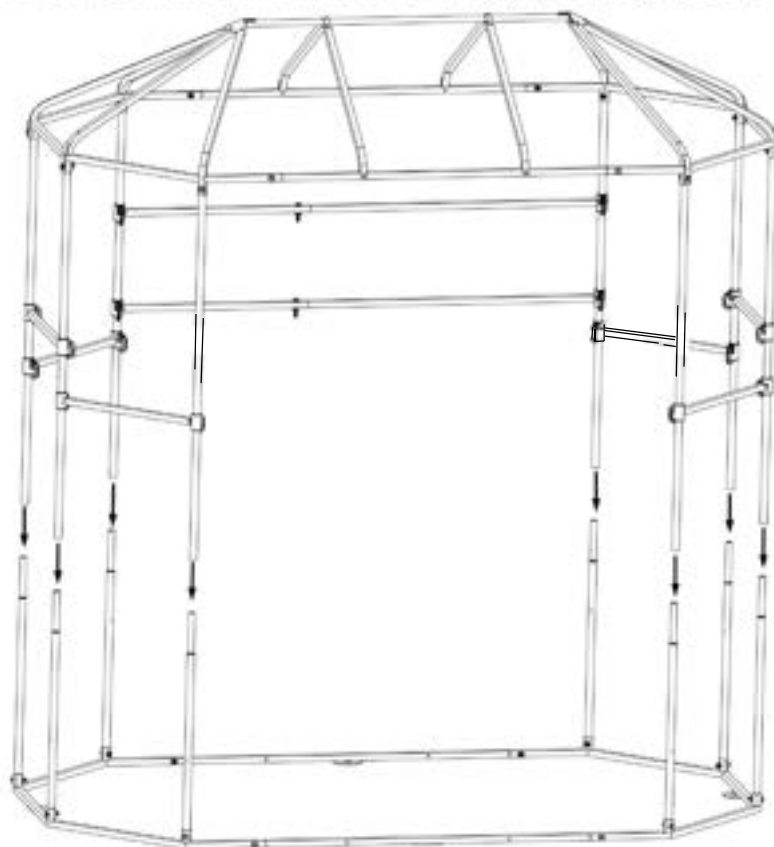


Figure 9

**Step 9.** With the help of at least two people place the roof section on by sliding the uprights together. It is best to insert each upright in about 1 inch then start lining them up all the way around and slide the assembly on all at once as seen in figure 9.



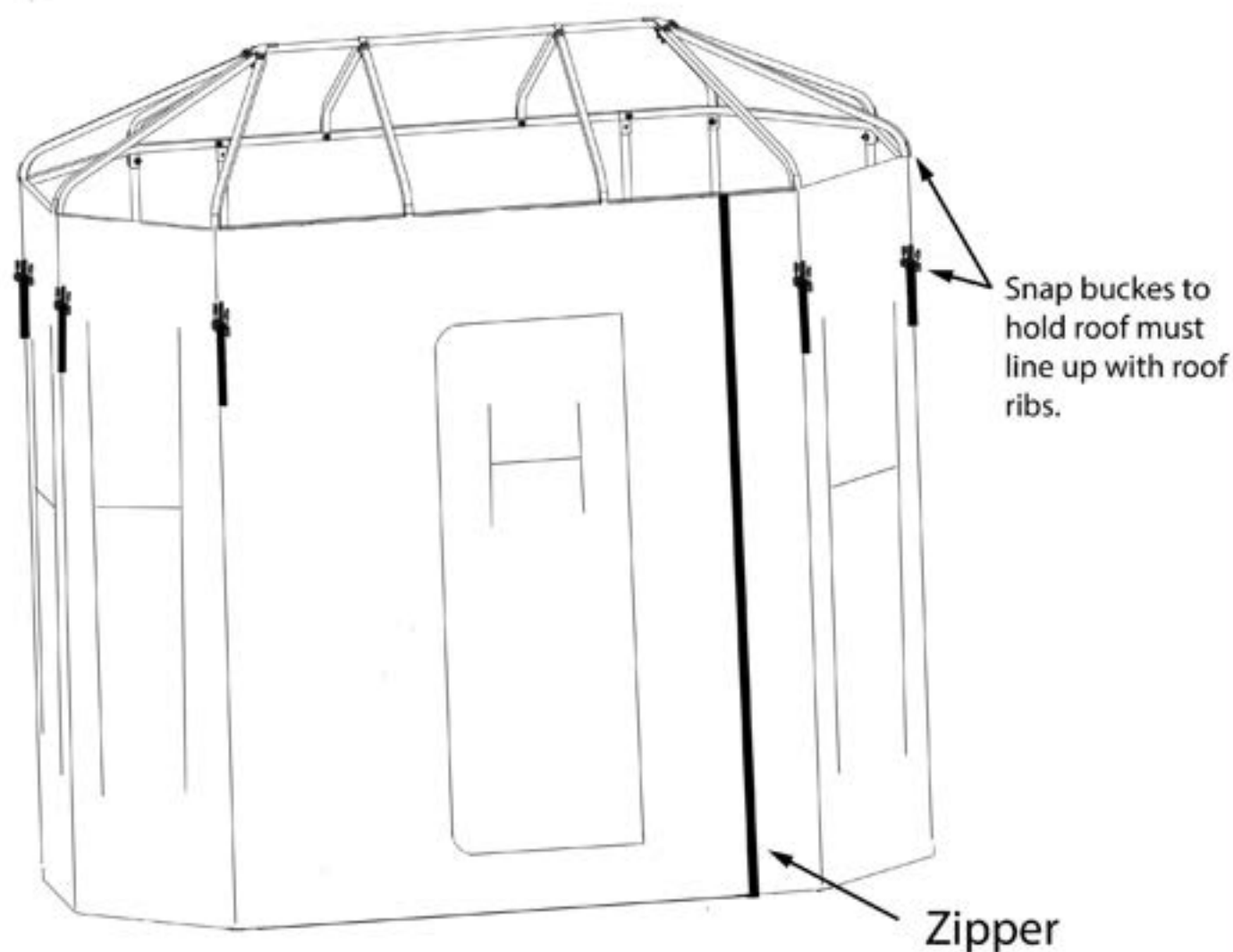


Figure 10.

**Step 10.** Install the blind cover. The cover can be installed standing inside of the blind if necessary.

Locate the zipper by the door, while one person holds the zipper in the approximate location on the roof main frame as seen in Figure 10 the other person wraps the fabric tight around the blind making sure it is flush with the roof main frame and the snap buckles are in the correct location in line with the roof ribs, they can also connect 3 of the bungees on top as they go to help hold the fabric up. Make sure all the bungee are hanging outside the blind and not between the fabric and the main frame. Do not connect all the bungee at this time. As one person pulls the fabric tight the other starts the zipper. It is best if one person pulls the fabric together ahead of the zipper during the zipping process.

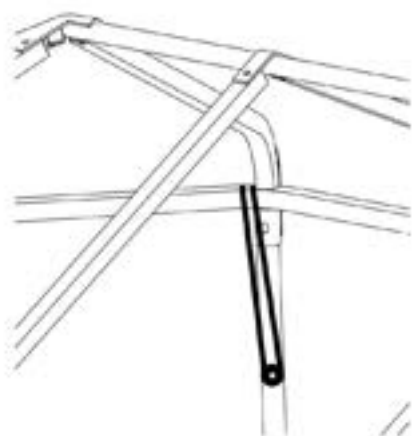


Figure 11 A Top Bungee.



Figure 11 B Bottom Bungee

**Step 11.** Once the zipper is completely closed and the fabric is even with the top of the roof main frame and the buckles line up with the uprights and the roof ribs you can begin connecting all the bungee as seen in Figure 11 A and 11 B Connect one bottom bungee then the corresponding top bungee until they are all connected.

**Note:** There are 4 bungee on the bottom and four on the top of the back wall near the door and two on the front wall that go around the platform frame and connect to hooks sewn on the fabric and not to versa buttons.

**Step 12.** You can now install the roof. The roof cover is equipped with eight buckles to connect to the buckles that are on the side of the blind. Place the fabric on the roof and pull it down all the way around and connect the buckles and pull snug, do not over tighten as it will pull the side fabric up at the bottom. Try to get all sides even. After you finish go outside and walk around the blind and check it and adjust if necessary.

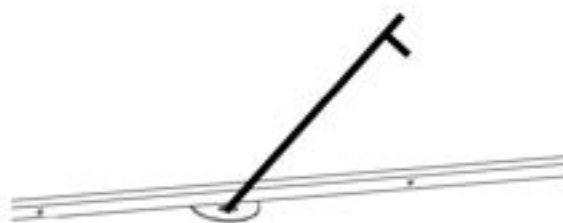


Figure 13.

**Step 13.** Your Buck Blind comes with four anchor stakes one for each anchor point on the bottom main frame, they need to be hammered all the way into the ground at approximately a 45 degree angle as in Figure 13.

PLEASE READ THIS MANUAL IN ITS ENTIRETY PRIOR TO USING THIS PRODUCT!

PLEASE READ THIS MANUAL IN ITS ENTIRETY PRIOR TO USING THIS PRODUCT!



PLEASE READ THIS MANUAL IN ITS ENTIRETY PRIOR TO USING THIS PRODUCT!



## CARE AND MAINTENANCE/WARRANTY

Your new Millennium shooting house is factory finished with a state-of-the-art powder coating that guarantees years of trouble-free service. It is recommended that you store your shooting house out of direct sunlight and out of any other harsh environmental condition(s) that may adversely affect its performance.

### IMPORTANT WARRANTY INFORMATION

Millennium Outdoors, LLC warrants this Millennium product against defect(s) in material and workmanship, under proper use and storage for the period of one (1) year from the date of purchase. Proof of purchase, plus, the return of your warranty application card to our home office, is required for any warranty claim. In the event this product is found to be defective within the warranty period, Millennium Outdoors, LLC only obligation and your exclusive remedy shall be replacement or repair of any defective parts at our discretion. To obtain warranty service, please contact Millennium Outdoors, LLC customer service at (601) 932-5832. Exclusions to this warranty include seat, paint, plastics, fabrics, webbing and/or defects caused by operator misuse and/or abuse. Limitation to liability include the forgoing warranty is made in lieu of all other warranties, express or implied and Millennium Outdoors, LLC disclaims any implied warranty of merchantability and fitness. Millennium Outdoors, LLC shall not be liable for any damages direct, consequential or incidental arising out of the use or inability of this product.

### WARRANTY APPLICATION CARD

I have read and understand the safety, assembly and operating instructions provided with my Millennium shooting house. I have read the warranty information and know that I can call Millennium at (601) 932-5832 with any questions or concerns that I may have about this or any other Millennium product(s). Mail to: Millennium Outdoors, LLC, 201 Fairmont Plaza, Pearl, MS 39208, (601) 932-5832.

NAME \_\_\_\_\_ PURCHASED WHERE \_\_\_\_\_

ADDRESS \_\_\_\_\_

CITY/STATE/ZIP \_\_\_\_\_

PURCHASE DATE \_\_\_\_\_

PRODUCT \_\_\_\_\_

EMAIL (Required) \_\_\_\_\_

Millennium Outdoors, LLC  
201 Fairmont Plaza  
Pearl, Mississippi 39208  
(601) 932-5832  
[millenniumstands.com](http://millenniumstands.com)

