



MILLENNIUM LADDER PLATFORM Q-203-00 INSTRUCTION MANUAL



Should you have any questions about the installation and/or use of this product, or any other Millennium product(s) do not hesitate to call one of our customer service representatives at (801) 932-5632 or visit us online at millenniumstands.com. Our service representatives will answer any questions you may have about any of the complete line of Millennium products.

WARNING! For Use With Q-200 Buck Hut Only



WARNING! This product carries strict weight limitations. Do not use this product if you exceed this total weight limitation. Please note this weight limit includes the user and equipment. Failure to follow these instructions may result in serious injury or death!

Model Number Q-203-00 Ladder Platform

Maximum Capacity: Hunter and Gear 300 Pounds.

Thank you for your purchase of this quality Millennium product! To ensure your personal safety, please take a moment to carefully read this product Instruction Manual in its entirety before attempting to set-up, install and/or otherwise use this Millennium product. Failure to do so could result in serious personal injury or death! This Millennium product has been designed, engineered and manufactured to provide you with years of trouble free service.

PLEASE READ THIS MANUAL IN ITS ENTIRETY PRIOR TO USING THIS PRODUCT!

PLEASE READ THIS MANUAL IN ITS ENTIRETY PRIOR TO USING THIS PRODUCT!

**ATTENTION!!**

WHEN YOU SEE A "WARNING!" BE SURE TO HEED THE MESSAGE! THE INFORMATION CONTAINED IN THESE MESSAGES CAN SAVE YOUR LIFE!!



WARNING! Falls from a shooting house can occur anytime after leaving the ground. These falls result in either serious injury or death! For your personal safety, please take a moment to carefully read this product Instruction Manual in its entirety before attempting to assemble, set-up, install and/or otherwise use this Millennium product. At least annually, review the contents of this Instruction Manual. Failure to follow these instructions may result in serious injury or death!



WARNING! The safe use and operation of this product is the sole responsibility of the user. It is also the sole responsibility of the owner to provide any person(s) who borrow or purchase this product with these instructions. Failure to follow these instructions may result in serious injury or death! Additionally, failure to follow these instructions may subject you to personal liability penalties as determined by the U.S. Judicial system.



WARNING! Prior to each hunt, make sure that you have a signaling device (e.g., mobile phone, cell phone, radio, whistle, signal flare, Personal Locator Device [PLD], etc.) in your possession and on your person in an operable condition. This device must be within easy access should you experience the need to contact emergency assistance. Failure to follow these instructions may result in serious injury or death!



WARNING! Failure to read and strictly comply with the instructions contained in this Instruction Manual may result in serious injury or death!

PLEASE NOTE THAT "WARNING!" statements have been placed throughout this Instruction Manual. These statements point out important safety information and instructions, which, if not followed, could endanger the personal safety and/or property of the operator. It is imperative that the operator of this product, or any other Millennium product(s) read and understand all the instructions and warnings contained in this Instruction Manual prior to attempting to use this product(s), or any other Millennium product(s). Failure to comply with these instructions and/or warnings may result in serious injury or death! When you see a "WARNING!" statement - BE SURE TO HEED THE MESSAGE!



WARNING! Thoroughly inspect this or any other Millennium product(s) prior to each use for signs of wear, damage, rot, corrosion, deterioration and/or any other type of defect. DO NOT expose this product to extended exposure to direct sunlight, excessive heat and/or freezing temperatures. Do not use this or any other Millennium product(s) if they show evidence of wear, rot, corrosion, cracks, deterioration and/or any other type(s) of defect(s). Failure to follow these instructions may result in serious injury or death!



WARNING! Do not remove, modify and/or omit any portion or otherwise mechanically modify this Millennium product(s) or its assemblies in any manner. Modification, misuse and/or part substitution shall immediately void your factory warranty and may result in serious injury or death! If you suspect that a part(s) is missing and/or defective, immediately contact Millennium at (601) 932-5832 for replacement of missing or defective parts. Never modify your stand in any way by making repairs, or altering, adding or attaching anything to it except if explicitly authorized in writing by Millennium. ALWAYS USE GENUINE FACTORY AUTHORIZED MILLENNIUM REPLACEMENT PARTS. USE OF ANY REPLACEMENT PARTS OTHER THAN GENUINE MILLENNIUM PARTS VOIDS YOUR WARRANTY AND MAY RESULT IN SERIOUS INJURY OR DEATH!



WARNING! This Millennium product(s) is designed for adult use only. No one under the age of 16 shall attempt to use this or any other Millennium product(s) without direct adult supervision. Failure to follow these instructions may result in serious injury or death!



WARNING! Prior to attempting to use this or any other Millennium product(s) you must take the time and become familiar with its assembly, setup, installation and removal. You must practice installing, setting-up, using and removing this product(s) at ground-level prior to attempting to use it at heights above ground-level. Once you have become thoroughly knowledgeable and comfortable with this Millennium product(s) set-up, installation, use and removal at ground-level, only then are you ready to use it at heights above ground-level. Failure to follow these instructions may result in serious injury and death!



WARNING! Never rely on a tree branch for support while climbing. Failure to follow these instructions may result in serious injury or death!



WARNING! You must always inform someone of your hunting location, where the shooting house will be located and the expected duration of the hunt. Failure to follow these instructions may result in serious injury or death!





WARNING! Inspect all safety devices each time before each use. DO NOT use these devices if it (they) shows signs of wear, damage (from freezing, excessive heat, etc.), deterioration or vandalism. Factors such as tree growth, vandals, weather and animals may affect the performance of an unattended shooting house. Do not store these devices outdoors when not in use. Failure to follow these instructions may result in serious injury or death!





ATTENTION!!


WHEN YOU SEE A "WARNING!" BE SURE TO HEED THE MESSAGE! THE INFORMATION CONTAINED IN THESE MESSAGES CAN SAVE YOUR LIFE!!


- 


WARNING! Do not remove, modify, and/or omit any portion or otherwise mechanically modify this Millennium product(s) or its assemblies in any manner. Modification, misuse, and/or part substitution shall immediately void your factory warranty and may result in serious injury or death! If you suspect that a part(s) is missing and/or defective, immediately contact Millennium at (601) 932-5832 for replacement of missing or defective parts. Never modify your stand in any way by making repairs, or altering, adding or attaching anything to it except if explicitly authorized in writing by Millennium. Always use genuine factory authorized Millennium replacement parts. Use of any replacement parts other than genuine Millennium parts voids your warranty and may result in serious injury or death!
- 


WARNING! Prior to each hunt, make sure that you have a signaling device (e.g., mobile phone, radio, whistle, signal flare or Personal Locator Device (PLD)) in your possession and in an operable condition. This device must be within easy access should you experience the need to contact emergency assistance. Failure to follow these instructions may result in serious injury or death!
- 


WARNING! ALWAYS inspect/check ALL expiration dates/tags on all straps, cables, anchors, etc. You must replace ALL straps and suspension seats EVERY year. Never use any strap(s) that have expired and/or is showing any signs of damage and/or wear. Failure to follow these instructions may result in serious injury and death!
- 


WARNING! Make certain all chains, cable straps, etc. are tightened per this Instruction Manual prior to use. All shooting house legs must be in contact with the ground and secured with the anchors prior to stepping onto any portion of the shooting house. The correct adjustment and tightening of attachment hardware is critical to the stable installation of this shooting house. Failure to follow these instructions may result in serious injury or death!
- 


WARNING! Several Millennium shooting houses are equipped with a footrest, armrests and/or shooting rail. Neither the footrest, armrests nor the shooting rail have been designed to support the users weight. Under no circumstances shall you place any more than fifteen (15) pounds of weight on these structures. Doing so will put the user in serious risk of injury or death. Failure to follow these instructions may result in serious injury or death!
- 


WARNING! DO NOT modify, fix/repair, alter, bend, cut, weld, or heat the shooting house in any way. Also, do not attach anything to your shooting house without explicit authorized and written Instructions from the manufacturer. Failure to follow these instructions will void your warranty and may result in serious injury or death!
- 

WARNING! Never attempt to climb up or down with a weapon and/or gear in your possession. ALWAYS unload your weapon and pull it up to hunting height using a tether or pull up rope. ALWAYS lower your unloaded weapon down to the ground prior (when raising or lowering firearms, the chamber must be open and the barrel pointing toward the ground) to attempting to climb up or climb down. Use this same method when raising or lowering all other gear. Failure to follow these instructions may result in serious injury or death!
- 

WARNING! Prior to each use thoroughly inspect the shooting house (and its components) and all safety devices each time before use for signs of wear, rot, corrosion, cracks, deterioration and/or any other type of defect. Protect this product from extended exposure to direct sunlight, excessive heat or freezing temperatures by storing inside when not in use. Do not use this or any other product(s) if it shows evidence of wear, rot, corrosion, cracks, deterioration and/or any other type of defect. Failure to follow these instructions may result in serious injury or death!
- 

WARNING! DO NOT use this or any other Millennium product(s) if you have a history of heart problems, back problems, impaired vision, joints that lock-up, spinal fusions, equilibrium problems, high blood pressure, are not well-rested and/or any other physical impairment that may limit your ability to use and/or operate this product(s) in the safe manner outlined in this Instruction Manual. Additionally, do not use this or any other Millennium product(s) if you are currently taking medication (including prescription) and/or using and/or consuming any substance, including alcohol, that may limit your ability to use this Millennium product(s) as outlined and described in the Instruction Manual. Never use a shooting house when feeling ill, nauseous or dizzy. Failure to follow these instructions may result in serious injury or death!
- 

WARNING! DO NOT leave your Millennium product(s) installed for more than two weeks (14 days). Any number of factors can jeopardize its installation and integrity. These include, but are not limited to, weather or other environmental factors that can negatively affect its performance. Animals can also cause damage to your Millennium product(s) that can negatively affect its performance and your safety. Additionally, factors such as tree growth can stress and damage supporting straps, chains and/or buckles. Failure to follow these instructions may result in serious injury or death!
- 

WARNING! ALWAYS inspect the shooting house and all safety devices prior to each use. DO NOT use product if it shows signs of wear, damage, deterioration, or vandalism. Factors such as vandals, weather and animals may affect the performance of an unattended shooting house. Failure to follow these instructions may result in serious injury or death!
- 

WARNING! Strict weight limitations have been set for each product to ensure your personal safety. Note the weight limitations of your stand and that this weight limit includes the user(s) and equipment. NEVER EXCEED THESE WEIGHT LIMITATIONS! Failure to follow these instructions may result in serious injury or death!

**ATTENTION!!**

WHEN YOU SEE A "WARNING" BE SURE TO HEED THE MESSAGE! THE INFORMATION CONTAINED IN THESE MESSAGES CAN SAVE YOUR LIFE!!



WARNING! DO NOT attempt to use this or any other Millennium product(s) when ice, snow, and/or freezing rain has deposited or formed on any portion of the tree or stand you intend to climb. Do not attempt to use this or any other Millennium product(s) when thunderstorms are threatening and/or present within five (5) miles. Do not attempt to use this or any other product(s) when any other adverse weather condition presents itself. These include, but are not limited to, weather conditions which have the potential for producing winds, lightning, rain, snow, sleet and/or any other atmospheric condition which may limit the user's ability to operate this Millennium product(s) in a safe manner as described in this Instruction Manual. Should inclement weather conditions arise during your use of this Millennium product(s), return to the ground immediately. Failure to follow these instructions may result in serious injury or death!



WARNING! BEFORE each use, make sure all nuts and bolts are secure. CHECK all hardware and webbing prior to every use to make sure that no damage has occurred to hardware and that webbing (as applicable) is not cut or frayed. Keep webbing from coming into contact with any sharp edges. DO NOT USE THIS PRODUCT IF ANY DAMAGE IS SUSPECTED. Failure to follow these instructions may result in serious injury or death!



WARNING! REPLACE any damaged or worn part with original parts. Never store a shooting house or any of its components outdoors when not in use. To purchase parts contact Millennium at (601) 932-5832. Failure to follow these instructions may result in serious injury or death!



WARNING! Always wear the appropriate foot wear when using a shooting house. A good non-slip safety boot is important for your safety. Be especially careful that boot laces do not get hooked on the shooting house (or any of its components) or climbing aids (tuck shoelaces into boot before climbing). Failure to follow these instructions may result in serious injury or death!



WARNING! NEVER hunt out of a shooting house at heights at which you are not completely comfortable. Failure to follow these instructions may result in serious injury or death!



WARNING! DO NOT stand on the shooting house seat. Failure to follow these instructions may result in serious injury or death!



WARNING! A minimum of four (4) adults is required to install and/or remove this shooting house. Failure to follow these instructions may result in serious injury or death!



WARNING! The stabilizer straps and stabilization devices must be attached and tightened before attempting to climb to the seating/standing platforms. Failure to follow these instructions may result in serious injury or death!



WARNING! Check the ground under shooting houses to make sure it is firm and level. Sloping ground or uneven surfaces (e.g., one side on a rock) can cause the shooting house to tilt or shift as you climb. Failure to follow these instructions may result in serious injury or death!



WARNING! Always maintain three-point contact when climbing up/down. Proper three-point contact means having either two feet with one hand or one foot with two hands on the step portion of the shooting house at all times when climbing up or down. Failure to follow these instructions may result in serious injury or death!

Should you have any questions about the assembly, installation or use of this product, or any other product, please do not hesitate to call one of our customer service representatives at (601) 932-5832 and they will answer all questions you may have about any of the complete line of Millennium products.



WARNING! Some Millennium stands are equipped with a footrest, armrests, backrest, and/or shooting rail. Neither the footrest, armrests, backrest nor the shooting rail have been designed to support the users weight. Under no circumstances should you place any more than fifteen (15) pounds (7 kg) of weight on these structures. Doing so will put the user in serious risk of injury or death. Failure to follow these instructions may result in serious or death!



WARNING! Never jump or bounce on a shooting house or a shooting house seat. Failure to follow these instructions may result in serious injury or death!



WARNING! Check the ground under your shooting house to make sure it is firm and level. Sloping ground or uneven surfaces can cause your stand to tilt or shift as you climb. Do not use this stand when high winds are present or forecast. Failure to follow these instructions may result in serious injury or death!



WARNING! Never attempt to hunt from an unlevel platform. Additionally, never attempt to level your shooting house at heights above the ground. If you find that your platform is unlevel, canted, angled awkwardly upward or downward, or in any configuration other than level, readjust your shooting house as necessary to alleviate this awkward angle. Failure to follow these instructions may result in serious injury or death!

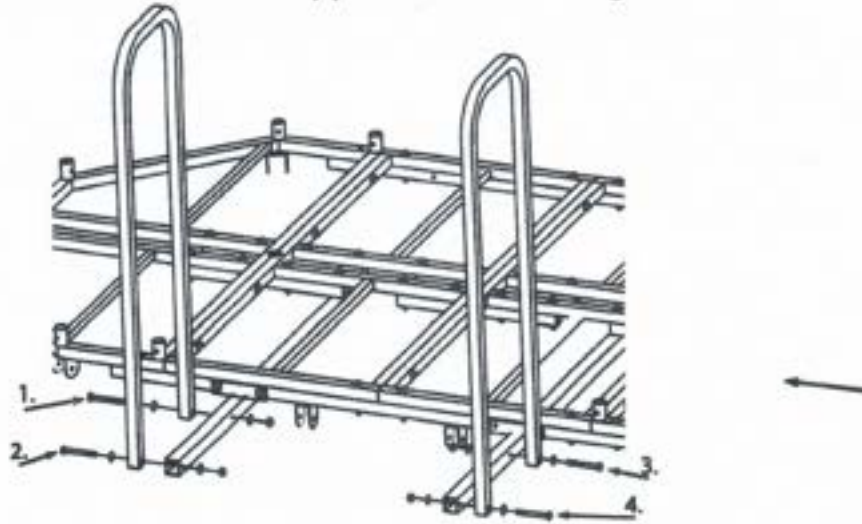


WARNING! ALWAYS lean forward as you climb the shooting house. Failure to follow these instructions may result in serious injury or death!



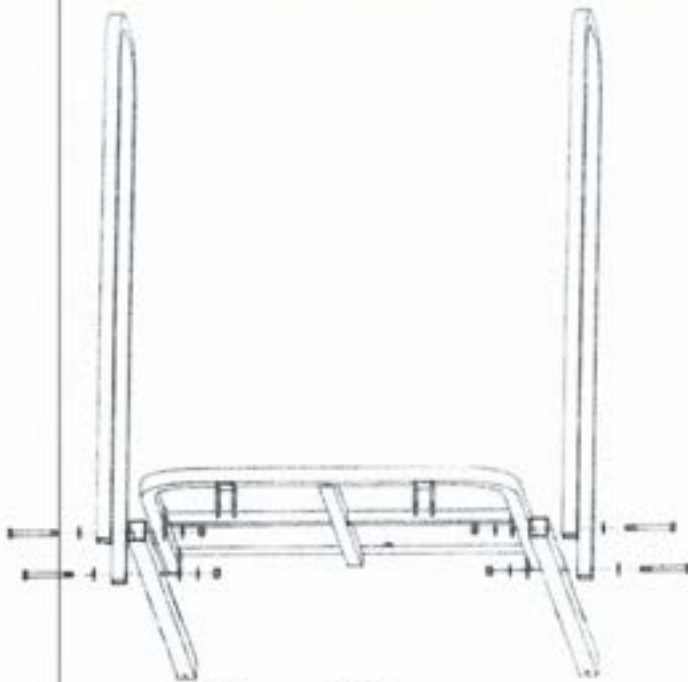
Installation Instructions

STEP 1. Remove the hand rails if already installed by removing the four bolts attaching them to the hand rail supports as seen in Figure 1.

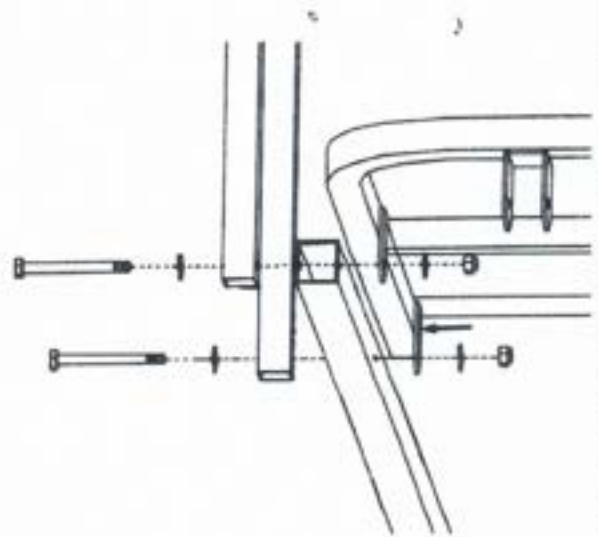


(Figure 1).

STEP 2. Attach the hand rails and the platform using the same four bolts, eight washers and four nuts as seen in Figure 2-A and Figure 2-B. Insert all bolts before tightening any. (Parts removed for clarity)

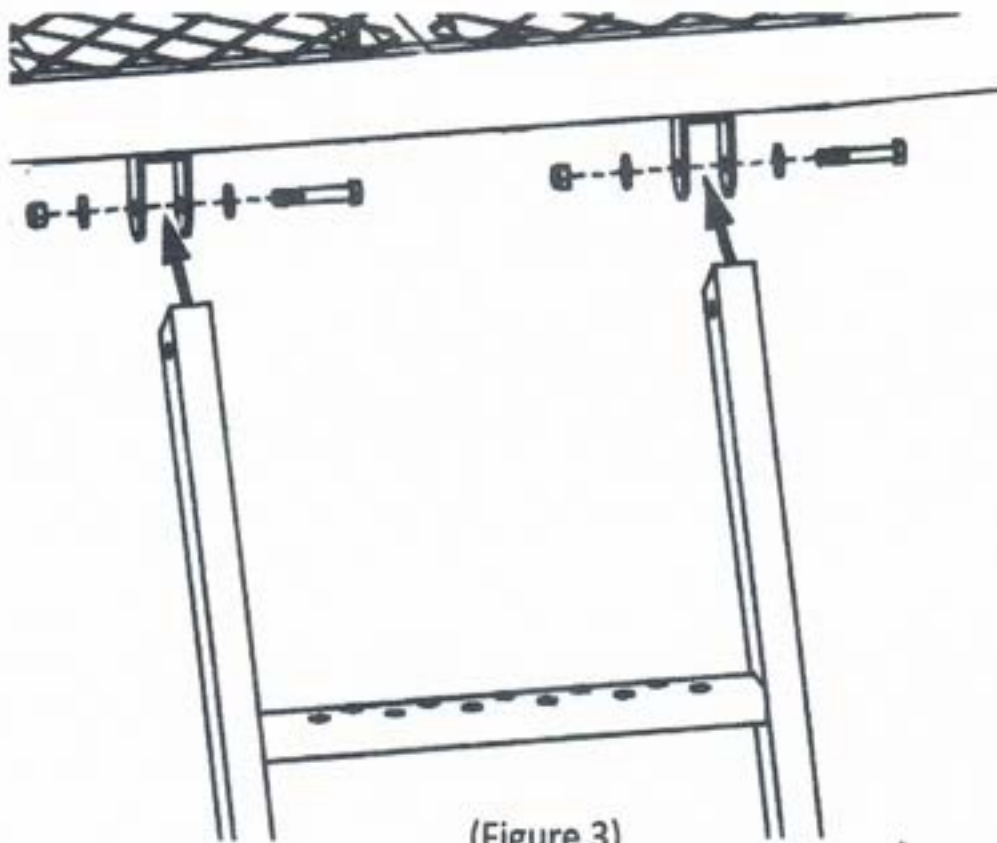


(Figure 2-A)



(Figure 2-B)

STEP 3. After all platform bolts are tight you can now install the ladder to the mounting brackets on the front of the ladder platform as seen in Figure 3.



(Figure 3)

WARNING: At no time should two persons be on the ladder and the ladder platform, one person should wait on the ground until the other has entered the Buck Hut before climbing the ladder.