



MILLENNIUM M-100-SL ULTRALITE LOCK-ON TREESTAND w/ M-102 RECEIVER INSTRUCTION MANUAL



Millennium M-100-SL Ultralite Lock-On Treestand w/ M-102 Receiver



Should you have any questions about the installation and/or use of this product, or any other Millennium product(s) do not hesitate to call one of our customer service representatives at (601) 932-5832 or visit us online at millenniumstands.com. Our service representatives will answer any questions you may have about any of the complete line of Millennium products.

ATTENTION! ATTENTION! ATTENTION!
If you do not have a full-body fall arrest harness system which meets or exceeds industry standards recognized by the TMA, contact Millennium Outdoors, LLC at 601-932-5832 or info@millenniumstands.com and we will furnish you one free of charge. If you do not intend to strictly follow these instructions, please return this Millennium Outdoors, LLC product, or any Millennium Outdoors, LLC product(s) to Millennium Outdoors, LLC for a full, no questions asked refund.

ATTENTION

YOU MUST READ ALL WRITTEN INSTRUCTIONS AND WATCH THIS SAFETY VIDEO BEFORE USING!



WATCH THIS SAFETY VIDEO BEFORE USING!

Scan 




or Visit  www.standsafety.com/m1

Scan the QR code with your smart phone, tablet or similar device.

OR


Type the website address into your web browser to view an important safety video before using this product.

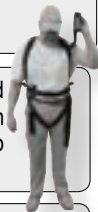
HANG-ON STAND SAFETY

 **WARNING!** This product carries strict weight limitations. Do not use this product if you exceed this total weight limitation. Please note this weight limit includes the user and equipment. Failure to follow these instructions may result in serious injury or death!

Model Number: Millennium M-100-SL Ultralite Lock-On Treestand w/ M-102 Receiver
Maximum Weight Capacity - 300 pounds (136kg) (User and Equipment)

Thank you for your purchase of this quality Millennium product! To ensure your personal safety, please take a moment to carefully read this product instruction manual in its entirety before attempting to set-up, install and/or otherwise use this Millennium product. Failure to do so could result in serious personal injury or death! This Millennium product has been designed, engineered and manufactured to provide you with years of trouble free service.

 **WARNING!** You must use the full-body fall arrest harness which meets or exceeds industry standards recognized by the TMA (Treestand Manufacturer's Association) and has been provided with this Millennium product(s) or an aftermarket full-body fall arrest harness which meets or exceeds industry standards recognized by the TMA when installing, removing or using this Millennium product(s). Failure to follow these instructions may result in serious injury or death!



Your full-body fall arrest harness included with your new Millennium treestand has a service life of three (3) years past its date of manufacture. This date of manufacture can be found on the sewn on label of each component of the fall arrest system. Replace this harness if the service life has expired. Should you experience a fall while wearing your full body fall arrest harness return it to the manufacturer for free replacement. You must read the full-body fall arrest harness instruction manual in its entirety prior to attempting to use this Millennium product(s) in any manner.

PLEASE READ THIS MANUAL IN ITS ENTIRETY PRIOR TO USING THIS PRODUCT!

PLEASE READ THIS MANUAL IN ITS ENTIRETY PRIOR TO USING THIS PRODUCT!

ATTENTION!!



WHEN YOU SEE A "WARNING!" BE SURE TO HEED THE MESSAGE! THE INFORMATION CONTAINED IN THESE MESSAGES CAN SAVE YOUR LIFE!!



WARNING! Falls from a treestand can occur anytime after leaving the ground. These falls result in either serious injury or death! For your personal safety, please take a moment to carefully read this product instruction manual in its entirety before attempting to assemble, set-up, install and/or otherwise use this Millennium product. At least annually, review the contents of this instruction manual and watch the safety information included in the Quick Response (QR) Code(s) which accompanies this Millennium product(s). Additionally, keep these instructions for the entire duration that you own this product(s). Failure to follow these instructions may result in serious injury or death!



WARNING! The safe use and operation of this product is the sole responsibility of the user. It is also the sole responsibility of the owner to provide any person(s) who borrow or purchase this product with these instructions. Failure to follow these instructions may result in serious injury or death! Additionally, failure to follow these instructions may subject you to personal liability penalties as determined by the U.S. Judicial system.



WARNING! Prior to each hunt, make sure that you have a signaling device (e.g., mobile phone, cell phone, radio, whistle, signal flare, Personal Locator Device [PLD], etc.) in your possession and on your person in an operable condition. This device must be within easy access should you experience the need to contact emergency assistance. Failure to follow these instructions may result in serious injury or death!



WARNING! Failure to read and strictly comply with the instructions contained in this Instruction Manual may result in serious injury or death!

PLEASE NOTE THAT "WARNING!" statements have been placed throughout this Instruction Manual. These statements point out important safety information and instructions, which, if not followed, could endanger the personal safety and/or property of the operator. It is imperative that the operator of this product, or any other Millennium product(s) read and understand all the instructions and warnings contained in this Instruction Manual prior to attempting to use this product(s), or any other Millennium product(s). Failure to comply with these instructions and/or warnings may result in serious injury or death! When you see a "WARNING!" statement - BE SURE TO HEED THE MESSAGE!



WARNING! Thoroughly inspect this or any other Millennium product(s) prior to each use for signs of wear, damage, rot, corrosion, deterioration and/or any other type of defect. DO NOT expose this product to extended exposure to direct sunlight, excessive heat and/or freezing temperatures. Do not use this or any other Millennium product(s) if they show evidence of wear, rot, corrosion, cracks, deterioration and/or any other type(s) of defect(s). Failure to follow these instructions may result in serious injury or death!



WARNING! Do not remove, modify and/or omit any portion or otherwise mechanically modify this Millennium product(s) or its assemblies in any manner. Modification, misuse and/or part substitution shall immediately void your factory warranty and may result in serious injury or death! If you suspect that a part(s) is missing and/or defective, immediately contact Millennium at (601) 932-5832 for replacement of missing or defective parts. Never modify your stand in any way by making repairs, or altering, adding or attaching anything to it except if explicitly authorized in writing by Millennium. ALWAYS USE GENUINE FACTORY AUTHORIZED MILLENNIUM REPLACEMENT PARTS. USE OF ANY REPLACEMENT PARTS OTHER THAN GENUINE MILLENNIUM PARTS VOIDS YOUR WARRANTY AND MAY RESULT IN SERIOUS INJURY OR DEATH!



WARNING! This Millennium product(s) is designed for adult use only. No one under the age of 16 shall attempt to use this or any other Millennium product(s) without direct adult supervision. Failure to follow these instructions may result in serious injury or death!



WARNING! Prior to attempting to use this or any other Millennium product(s) you must take the time and become familiar with its assembly, setup, installation and removal. You must practice installing, setting-up, using and removing this product(s) at ground-level prior to attempting to use it at heights above ground-level. Once you have become thoroughly knowledgeable and comfortable with this Millennium product(s) set-up, installation, use and removal at ground-level, only then are you ready to use it at heights above ground-level. Failure to follow these instructions may result in serious injury and death!



WARNING! When hunting from a treestand, falls can occur any time after leaving the ground causing injury or death. Always wear your full-body fall arrest system (which meets or exceeds industry standards recognized by the TMA), comprising a full-body harness, tether, tree belt, linesman belt and Suspension Relief Device at all times after leaving the ground. You must stay connected to the tree at all times after leaving the ground. Single safety belts and chest harnesses are no longer allowed and shall never be used as they put the user at serious risk of injury or death. If you are not wearing your full-body fall arrest harness that is properly attached to the tree that is protecting you from a fall, do not leave the ground. Failure to follow these instructions may result in serious injury or death!



WARNING! Never rely on a tree branch for support while climbing. Failure to follow these instructions may result in serious injury or death!



WARNING! You must always inform someone of your hunting location, where the treestand will be located and the expected duration of the hunt. Failure to follow these instructions may result in serious injury or death!



WARNING! Inspect all safety devices each time before each use. DO NOT use these devices if it (they) shows signs of wear, damage (from freezing, excessive heat, etc.), deterioration or vandalism. Factors such as tree growth, vandals, weather and animals may affect the performance of an unattended tree stand. Do not store these devices outdoors when not in use. Failure to follow these instructions may result in serious injury or death!



WARNING! The length of the full-body fall arrest tether must be minimized at all times. It shall be adjusted so that it is above the head with no slack (snug) in the sitting position and you shall have the minimum amount of slack possible when climbing. Failure to follow these instructions may result in serious injury or death!



WARNING! Some Millennium treestands are equipped with footrests, armrests, backrests and/or shooting rails. These are not designed to support the user's weight. Under no circumstances shall you place more than fifteen (15) pounds (7kg) of weight on these structures. Doing so will result in an unsafe condition. Failure to follow these instructions will result in serious injury or death!

ATTENTION!!



WHEN YOU SEE A "WARNING!" BE SURE TO HEED THE MESSAGE! THE INFORMATION CONTAINED IN THESE MESSAGES CAN SAVE YOUR LIFE!!



WARNING! Practice the use your full-body fall arrest harness at ground-level in the presence of a responsible adult to experience the feeling of hanging suspended before using in a hunting environment. Failure to follow these instructions may result in serious injury or death!



WARNING! Failure to follow the full-body fall arrest harness instructions could result in not being able to return to the stand and being suspended in a harness after a fall. If your hunting location is unknown by anyone and communication efforts are unsuccessful, you must have a personal plan for self-recovery/escape should you experience a fall. Prolonged suspension in a harness can be fatal. It is important to exercise the legs by pushing against the tree or doing other forms of continuous leg exercises to avoid blood pooling while being suspended. Varying degrees of physical fitness may require different plans for self-recovery/escape to avoid the effects of prolonged suspension. Have a personal plan and practice it in the presence of a responsible adult before leaving the ground. No one escape/rescue plan will work for every hunter, on every tree, in every circumstance. Only you can determine the best self-recovery/escape plan for your hunting situation and you must have a self-recovery/escape plan for your individual situation before leaving the ground. There is time to make a correct decision on what action to take if a fall occurs while wearing a full-body fall arrest harness. It is important to remember, "DO NOT PANIC." You must only hunt from the ground when a suitable self-recovery/escape plan is absent. Failure to follow these instructions may result in serious injury or death!

Several optional products/systems are available that offer self-recovery or self extraction from a fall when suspended in a harness. Some systems automatically descend the user while others allow user control. One of these products/systems can be considered for use as an additional safety precaution against prolonged suspension and suspension trauma. Be sure to follow the manufacturer's directions on the safe use of these products/systems.



WARNING! A suspension relief device must be on your person and readily accessible while using your full-body fall arrest harness. These devices allow the user to relieve the load on the lower extremities if suspended in a harness and help maintain circulation in the legs, mitigate suspension trauma (blood pooling) or allow descent to the ground. Be sure to follow the directions on the safe use of any suspension relief device. Failure to follow these instructions may result in serious injury or death!



WARNING! If you have a limiting physical and/or health condition that precludes and/or renders you incapable of self-recovery and/or a suitable escape plan is not available, DO NOT hunt from heights above ground-level. Failure to follow these instructions may result in serious injury or death!



WARNING! NEVER allow the full-body fall arrest harness lanyard to get under your chin and/or around your neck. This poses a choking hazard that can lead to serious injury or death. Failure to follow these instructions may result in serious injury or death



WARNING! Never attempt to climb up or climb down with a weapon and/or gear in your possession. ALWAYS unload your weapon and pull it up to hunting height using a tether or pull-up (hoisting) rope. ALWAYS lower your unloaded weapon down to the ground prior to attempting to climb down the tree (when raising or lowering firearms, the chamber must be open and the barrel pointing toward the ground). Use this same method when raising or lowering all other gear. Failure to follow these instructions may result in serious injury or death!



WARNING! DO NOT attempt to use this and/or any other Millennium product(s) when ice, snow and/or freezing rain has deposited or formed on any portion of the tree you intend to climb. Failure to follow these instructions may result in serious injury or death!



WARNING! ALWAYS maintain three-point contact when climbing up/down a tree when using climbing aids (e.g., stick ladders, sectional ladders, steps, etc.). Proper three-point contact means having either two (2) feet with one (1) hand or one (1) foot with two (2) hands on the step portion of the climbing aids at all times when climbing up or down. Failure to follow these instructions may result in serious injury or death!



WARNING! DO NOT modify, fix/repair, alter, bend, cut, weld, drill or heat this product in any way. Failure to follow these instructions will void warranty and may result in serious injury or death!



WARNING! DO NOT lean out from a treestand for any reason. Never use your full-body fall arrest harness to help you lean out of your treestand. Failure to follow these instructions may result in serious injury or death!



WARNING! DO NOT use this or any other Millennium product(s) if you have a history of heart problems, back problems, impaired vision, joints that lock-up, spinal fusions, equilibrium problems, high blood pressure, are not well-rested and/or any other physical impairment that may limit your ability to use and/or operate this product(s) in the safe manner outlined in this Instruction Manual. Additionally, do not use this or any other Millennium product(s) if you are currently taking any medication (including prescription) and/or using and/or consuming any substance, including alcohol, that may limit your ability to use this Millennium product(s) as outlined and described in this Instruction Manual. Never use a treestand when feeling ill, nauseous or dizzy. Failure to follow these instructions may result in serious injury or death!



WARNING! DO NOT attempt to use this or any other Millennium product(s) when thunderstorms are threatening and/or present within five (5) miles. Do not attempt to use this or any other Millennium product(s) when any other adverse weather condition(s) presents itself. These include weather conditions which have the potential for producing winds, lightning, rain, snow, sleet and/or any other atmospheric condition which may limit the user's ability to operate this Millennium product(s) in a safe manner as described in this Instruction Manual. Should inclement weather conditions arise during your use of this Millennium product(s), return to the ground immediately. Failure to follow these instructions may result in serious injury and death!



WARNING! Never jump or bounce on a treestand to seat it to the tree. Failure to follow these instructions may result in serious injury or death!



You Must Stayed Connected While Using This Product!

ATTENTION!!



WHEN YOU SEE A "WARNING!" BE SURE TO HEED THE MESSAGE! THE INFORMATION CONTAINED IN THESE MESSAGES CAN SAVE YOUR LIFE!!



WARNING! DO NOT use this product, or attempt to use a treestand, on a dead, leaning, diseased, loose barked tree (bark that flakes or falls off), irregular shaped trees or utility poles. DO NOT use this product on any tree that does not allow for a level standing platform. Failure to follow these instructions may result in serious injury or death!



WARNING! Hunting and especially hunting from an elevated position shall not be attempted by someone who is not in great physical shape or who has a history of skeletal or medical conditions of any kind. This warning is not to be discounted. There are many hunting alternatives that do not require the physical exertion and the stamina of hunting from an elevated position. The user assumes all risks of injury in the use of our product. If at any time you feel uncomfortable using our products, hunting at an elevated position or your health condition changes, discontinue the use of our products immediately and return to the ground. Failure to follow these instructions will result in serious injury or death!

SPECIAL CONSIDERATIONS FOR NON-CLIMBING (LOCK-ON) TREESTAND USAGE



WARNING! You must use the linesman belt when installing lock-on style stands to stabilize yourself. Failure to follow these instructions may result in serious injury or death!



WARNING! Correct tightening and adjustments of all connection hardware is critical to stable lock-on treestand installation. Make certain your treestand is installed in accordance with the Manufacturer's Instructions. Failure to follow these instructions may result in serious injury or death!



WARNING! Practice the attachment of lock-on treestands at ground-level before using in a hunting environment. Failure to follow these instructions may result in serious injury or death!



WARNING! Climbing aids (e.g. stick ladders, sectional ladders, steps, etc.) must extend above the treestand standing platform (at least 24" inches [61 cm]) to allow the user to step down onto the platform. Never step up to your stand from a climbing aid. Failure to follow these instructions may result in serious injury or death!



WARNING! Never leave a treestand in a tree for more than two (2) weeks (14 days) as weather and/or animals can cause damage. Tree growth can also stress and/or damage straps, chains, ropes, cables and buckles. Failure to follow these instructions may result in serious injury or death!



WARNING! Use a pull-up (hoisting) rope to raise and lower the treestand. Never climb with anything on your back. Failure to follow these instructions may result in serious injury or death!



WARNING! ALWAYS have a second adult present when installing/removing or using a treestand. The ability to get help quickly may save your life in the event of a fall. A good non-slip safety boot is important for your safety. Be especially careful that bootlaces do not get hooked on the treestand or climbing aids (tuck shoelaces into boot before climbing). Failure to follow these instructions may result in serious injury or death!



WARNING! BEFORE each use, make sure all nuts and carriage bolts are secure. CHECK all hardware and ropes prior to every use to make sure no damage has occurred to hardware and the ropes are not cut or frayed. Keep rope from coming into contact with any sharp edges. DO NOT USE THIS PRODUCT IF ANY DAMAGE IS SUSPECTED. Failure to follow these instructions may result in serious injury or death!



WARNING! DO NOT stand on the treestand seat. Failure to follow these instructions may result in serious injury or death!



WARNING! When using a lineman belt to ascend/descend the tree, the full-body fall arrest harness tree belt and lanyard must be attached to the tree trunk before stepping down onto the treestand. Failure to follow these instructions may result in serious injury or death!



WARNING! REPLACE any damaged or worn part with original parts. Store in a dry, cool, safe place away from sunlight. Failure to follow these instructions may result in serious injury or death!



WARNING! Always lean forward as you climb and attach your full-body fall arrest harness tree belt to the tree trunk before securing the platform to the tree and stepping onto the platform. Failure to follow these instructions may result in serious injury or death!

WARNING! Check the ground under your climbing systems to make sure it is firm and level. Failure to follow these instructions may result in serious injury or death!



WARNING! DO NOT attempt to make adjustments to this product or your treestand while at heights ground-level. All adjustments must be made with the entire treestand on the ground. Failure to follow these instructions may result in serious injury or death!

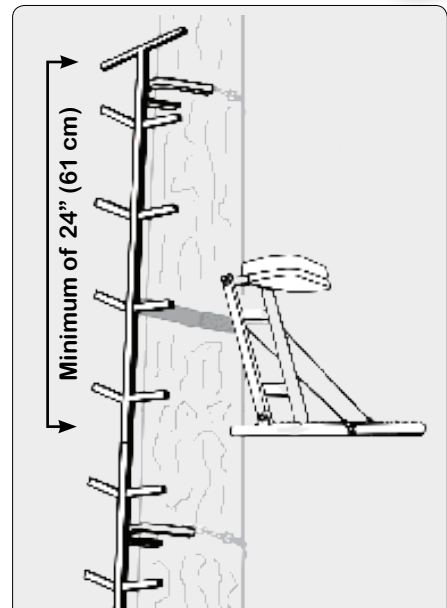
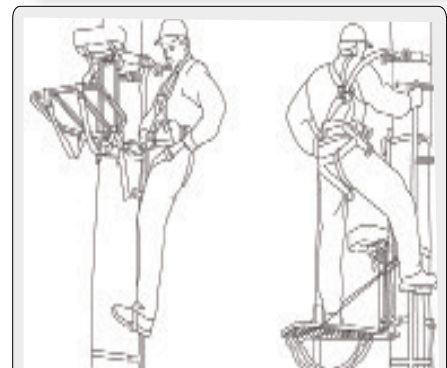


Figure 18
Climbing system installed a minimum of 24" above standing platform



Prior to stepping onto or off of the treestand platform, you must attach your full-body fall arrest harness tether/lanyard to the tree trunk as shown to preclude you from being unattached.

Failure to follow these instructions may result in

FULL-BODY FALL ARREST HARNESS SYSTEM INSTRUCTIONS







-  **WARNING!** Read these Millennium full-body fall arrest harness instructions carefully and follow all the instructions! Your new full-body fall arrest harness is designed for a maximum capacity (user and equipment) of 300 pounds (136 kg). Additionally, your new full-body fall arrest harness must be replaced after three (3) years of service! Replace your full-body fall arrest harness immediately should you experience a fall while wearing it. Failure to follow these instructions may result in serious injury or death!
-  **WARNING!** Falls from treestands can occur without warning. Product failures, falling asleep, misuse, vandalism, animal damage, etc. can lead to falls. However unlikely, falls from heights to the ground below can be eliminated by using the full-body fall arrest harness system which was provided with this product. You must use this (or aftermarket equivalent) full-body fall arrest harness system, as outlined herein, at all times when using your Millennium Outdoors, LLC treestand product. Failure to follow these instructions will result in serious injury or death!
-  **WARNING!** Use the Millennium full-body fall arrest harness provided with this product or a harness which meets or exceeds industry standards recognized by the TMA. NOTE: You must store your full-body fall arrest harness out of direct sunlight and out of any other harsh environmental condition(s) that may adversely affect its performance. Failure to follow these instructions may result in serious injury or death!
-  **WARNING!** It may be necessary to purchase an aftermarket full-body fall arrest harness which meets or exceeds industry standards recognized by the TMA should the Millennium full-body fall arrest harness provided with this product(s) not be sufficiently large enough. Remember: never exceed the weight capacity of this product(s). Failure to follow these instructions may result in serious injury or death!



Figure 1
Full-Body Fall Arrest Harness (Front and Rear Views)

- ① Shoulder Strap (R)
- ② Shoulder Strap (L)
- ③ Tether
- ④ Tether Loop
- ⑤ Waist Belt
- ⑥ Waist Belt Buckle
- ⑦ Leg Loop (L)
- ⑧ Leg Loop Buckle (L)
- ⑨ Leg Loop (R)
- ⑩ Leg Loop Buckle (R)
- ⑪ Suspension Relief Device
- ⑫ Tree Belt
- ⑬ Lineman Belt (two sides)
- ⑭ Lineman Belt Loops (L & R)



Figure 2
Step Into Leg Loops



Figure 3
Slip Right Arm Into
Right Shoulder Strap



Figure 4
Full-Body Fall Arrest
Harness On Loosely



Figure 5
Wrap Waist Belt
Around Waist

STEP 1. Identify the main parts of the full-body fall arrest harness as depicted in Figure 1. Hold the full-body fall arrest harness by the tether loop insuring the harness is upright and leg straps are hanging down as depicted in Figure 2. Straighten any straps which may have become twisted. With the leg loops hanging at the bottom, step into each leg loop while holding the shoulder straps as shown in Figure 2.

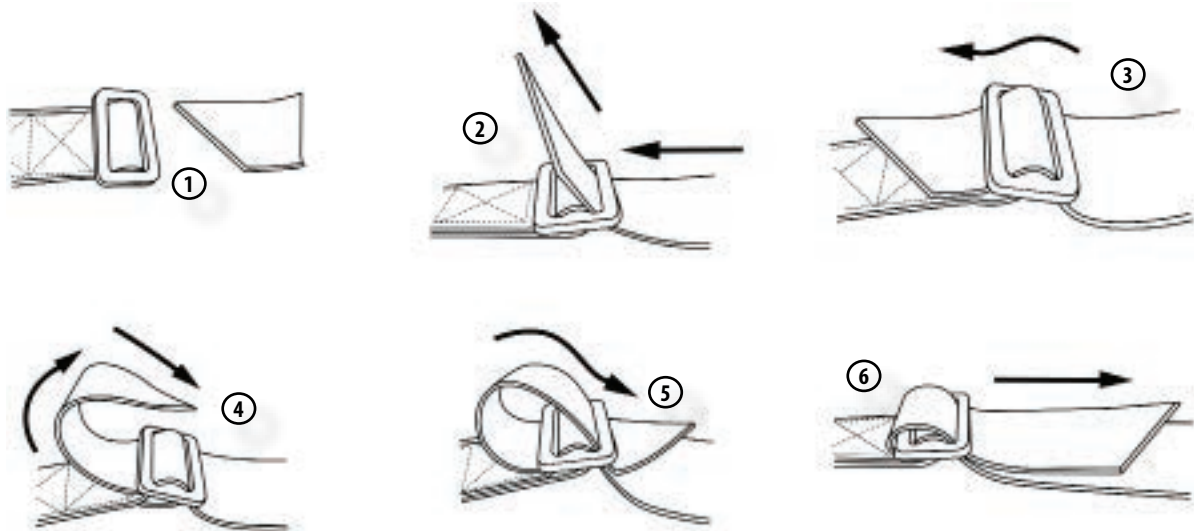


Figure 6
Thread Waist Buckle



Figure 7
Tighten Leg Loops/Positioned
Snugly in Groin Area



Figure 8
Full-Body Fall Arrest Harness Donned
Correctly (Front and Rear Views)

STEP 2: With both left and right legs in the leg loops, slip your right arm through the right shoulder strap as shown in Figure 3. With your right arm in the right shoulder strap, repeat this Step for your left arm. The full-body fall arrest harness shall now be hanging loosely about your torso as shown in Figure 4.

STEP 3: Locate the waist belt and waist belt buckle as shown in Figure 1. Wrap the waist belt around your waist as shown in Figure 5. Thread the buckle as shown in Figure 6. Extreme care must be taken to thread the waist buckle as depicted in Figure 6. Tighten the waist buckle until the waist belt is snug. DO NOT overtighten as this may become very uncomfortable and potentially cut-off your circulation.



WARNING! DO NOT overtighten the leg loops as this may cut-off circulation and cause an unsafe condition. Failure to follow these instructions may result in serious injury or death!

STEP 4: With the waist belt comfortably snug, locate the two (2) leg loop buckles as shown in Figure 1. Adjust both leg loop buckles so the leg loops are positioned snugly in the groin area as shown in Figure 7. Tighten the leg loops so they are snug, however, not overly tight. Overtightening of the leg loops will restrict circulation to the legs and cause an unsafe condition.



WARNING! DO NOT overtighten the waist belt as this may cut-off circulation and cause an unsafe condition. Failure to follow these instructions may result in serious injury or death!

STEP 5: With the leg loops tightened to a comfortable fit and the waist belt adjusted snugly, your full-body fall arrest harness shall now be donned as shown in Figure 8.

FULL-BODY FALL ARREST HARNESS SYSTEM INSTRUCTIONS (TREE BELT)



Figure 9
Insert Tree Belt Through Full-Body Fall Arrest Harness Tether Loop

STEP 1: Once you have reached your desired height, insert the tree belt (refer to Figure 1 for identification) through the loop of the full-body fall arrest harness tether as shown in Figure 9. Wrap the tree belt around the tree at a height that allows just enough slack for you to sit comfortably in your stand (as shown in Figure 10). NOTE: Keeping the full-body fall arrest harness tether as short as possible limits the distance you will travel in the unlikely event you should experience a fall.



Figure 10
Wrap Tree Belt Around Tree Trunk

STEP 2: Secure the tree belt by inserting the tag (free-end) end through the slot in the buckle closest to opposite end of the tree belt, then cross over the sliding mechanism and back down through opposite slot. Pull on tree belt to secure and test to make sure sliding mechanism engages, creating secure tree belt placement. Refer to Figure 11 for proper tree belt buckle threading.

⚠ WARNING! YOU MUST thread the tree belt buckle as shown in Figure 11. Failure to thread the buckle as shown will result in the belt failing to hold and separation from the tree trunk. Failure to follow these instructions may result in serious injury or death!

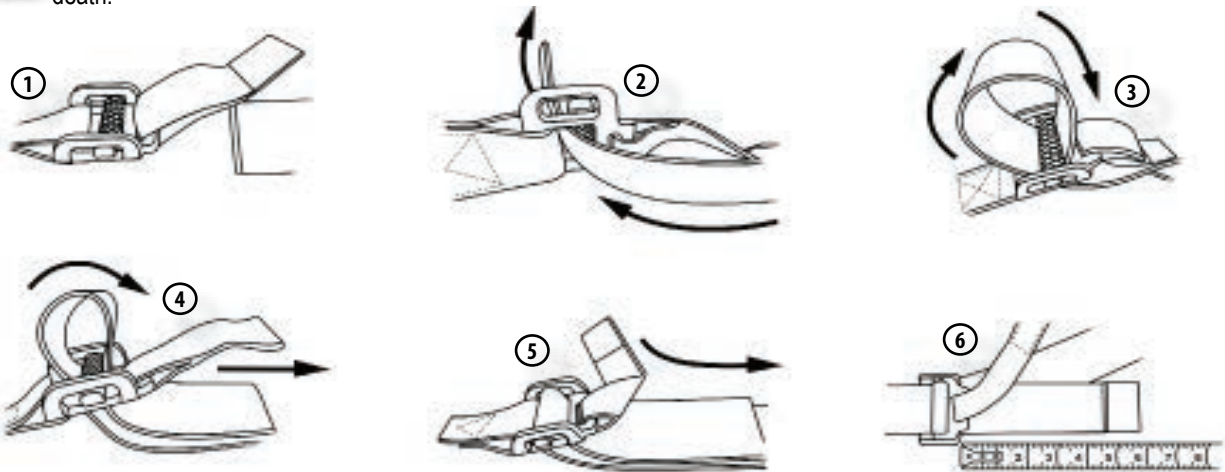


Figure 11
Threading Tree Belt Buckle

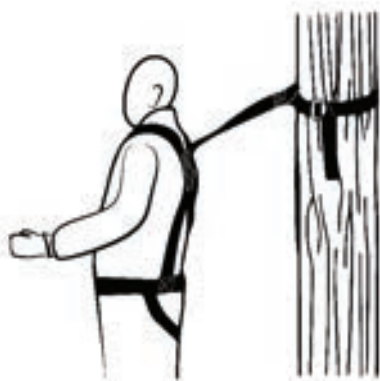


Figure 12
Full-Body Fall Arrest Harness Tether While Standing



Figure 13
Full-Body Fall Arrest Harness Tether While Seated

STEP 3: With the full-body fall arrest harness tree belt and tether installed as outlined previously, adjust the height of the tree belt so it is taut as shown in Figures 12 and 13. Please note, the tether length will vary depending on whether or not you are plan on standing or sitting during your use of this Millennium product. You must keep the tether length as short as possible at all times to minimize the distance you might fall in the unlikely event you experience a fall while using this Millennium product.



FULL-BODY FALL ARREST HARNESS SYSTEM (LINEMAN BELT)



WARNING! A lineman belt that meets or exceeds industry standards recognized by the TMA (Tree-stand Manufacturer's Association) standards has been provided with this Millennium product(s). You must wear/use it when installing, removing or using this Millennium product(s). Failure to follow these instructions may result in serious injury or death!

A lineman belt has been included with your new Millennium to help insure your utmost safety while installing, using, operating and/or removing your treestand. Your use of it as outlined here and elsewhere in this Instruction Manual is crucial to its safe operation and the safe operation of your Millennium treestand.

When using lock-on style stands, it is necessary to use a full-body fall arrest harness lineman belt. These lineman belts keep you safely attached to the tree while installing, using, operating and/or removing your lock-on style treestand.

WARNING! You must wear and properly use the full-body fall arrest lineman belt which is provided with this Millennium treestand. Failure to follow these instructions will result in serious injury or death!

STEP 1: Locate the full-body fall arrest harness lineman belt (refer to Figure 1). Please note, the lineman belt is a two-piece design. One side short, with a sewn-loop tag-end and buckle ("buckle strap"). The other side, a long strap with a tag-end and sewn-loop end ("long strap"). With your full-body fall arrest harness donned as previously outlined in this Instruction Manual, slip the sewn-loop end of the buckle strap through the lineman belt loop (refer to Figure 1) on either the left or right side of the harness. If you are right handed, it is recommended you install the buckle strap on your right side. And vice versa if left-handed. This allows for ease-of-adjustment when climbing.

STEP 2: With the buckle strap installed, repeat STEP 1 for the long strap side on the OPPOSITE lineman belt loop.

STEP 3: Make certain both sides are cinched down tightly to the lineman belt loops.

WARNING! Both sides of the lineman belt must be tightly cinched down to the lineman belt loops. Failure to do so will cause slippage leading to an unsafe condition. Failure to follow these instructions will result in serious injury or death!

STEP 4: When ready to climb to your treestand installation height, wrap the long strap around the tree trunk, threading it into the buckle strap as shown in Figure 14.

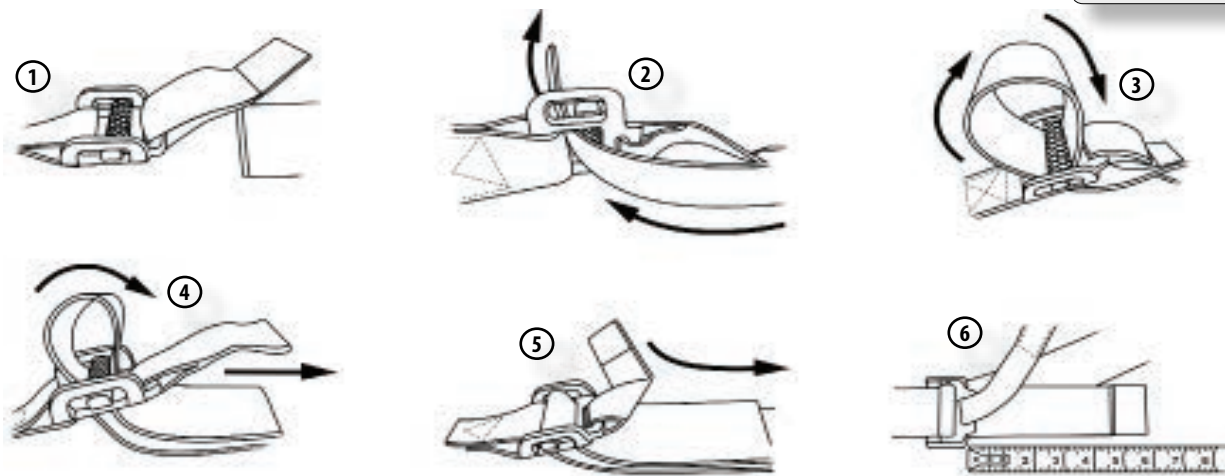


Figure 14
Threading Lineman Belt Buckle

STEP 5: Adjust the lineman belt so it is a comfortable length while attached to the tree trunk by lengthening or shortening the tag-end of the long strap.



PLEASE READ THIS MANUAL IN ITS ENTIRETY PRIOR TO USING THIS PRODUCT!

PLEASE READ THIS MANUAL IN ITS ENTIRETY PRIOR TO USING THIS PRODUCT!

FULL-BODY HARNESS SYSTEM INSTRUCTIONS (SUSPENSION RELIEF DEVICE)

No one plans to fall from their treestand, however, falls can and do occur without warning. It is important to know what to do in the unlikely event you experience a fall from an elevated hunting position. It is also very important you practice your escape plan at ground-level prior to entering an elevated hunting platform. There is time to make a correct decision on what action to take if a fall occurs while wearing a full-body fall arrest harness. It is important not to panic. Remain calm and implement your practiced rescue, relief and recovery plan.

A Suspension Relief Device, or SRD, has been provided with this Millennium product. It is provided to help relieve the pressure on your lower extremities in the unlikely event you experience a fall from an elevated hunting position.

⚠ WARNING! A suspension relief device must be on your person and readily accessible while using a full-body fall arrest harness. These devices will allow you to relieve the load on the lower extremities if suspended in a full-body fall arrest harness and help maintain circulation in the legs and mitigate (minimize) suspension trauma (blood pooling) or allow descent to the ground. Follow all instructions below regarding the provided SRD (Suspension Relief Device) Failure to follow full-body fall arrest harness instructions could result in not being able to return to the stand and being suspended in a full-body fall arrest harness after a fall. Failure to follow this warning may result in serious injury or death!

STEP 1: After a fall, take a moment to catch your breath and stay calm. Remain calm and do not panic.

STEP 2: Pull out the SRD strap located on the waist belt of your full-body fall arrest harness.

STEP 3: Adjust the SRD strap so you are able to step into the loop and then stand up, placing your weight in the standing loop and relieving the pressure on your lower extremities. The loop size can be adjusted by moving the buckle up or down (refer to Figure 14 for SRD operation).

STEP 4: If you are able to reach your ladder or climbing system, use it to get back into your secured treestand and then carefully climb down to ground-level. If you are not able to reach your stand, remain calm and continue to stand in the SRD loop and use your personal locating device or cell phone to call for help.

Important Note Regarding Self Extractors

Several optional products/systems are available that offer self-recovery or self-extraction from a fall when suspended in a full-body fall arrest harness. Some systems automatically descend the user while others allow user control. One of these products/systems can be considered for use as an additional safety precaution against prolonged suspension and suspension trauma. Be sure to follow the manufacturers' directions on the safe use of these products/systems.

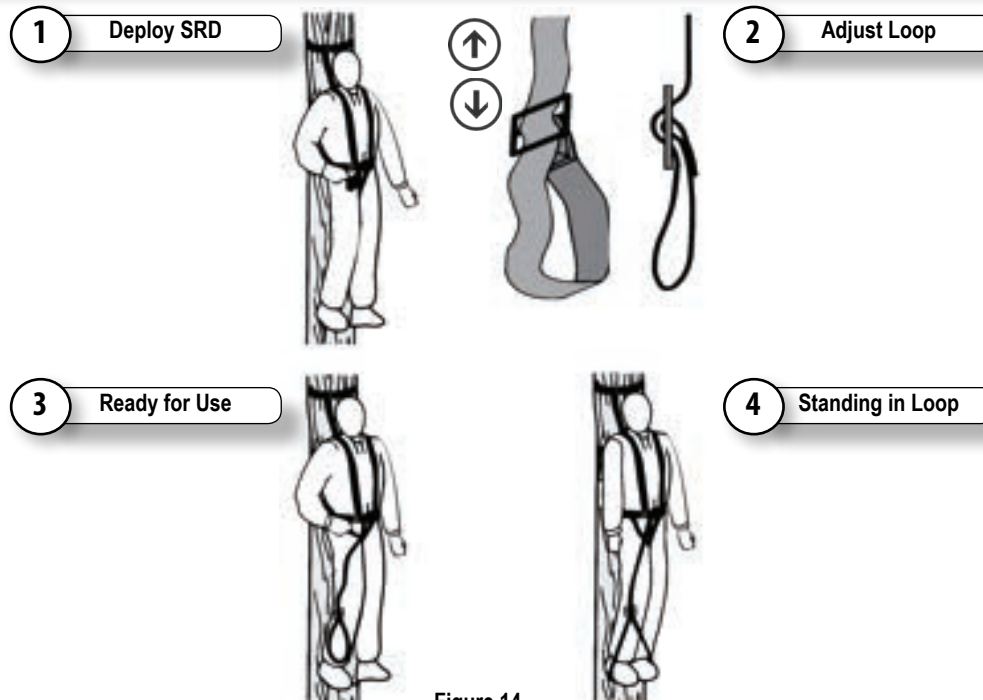


Figure 14
Suspension Relief Device (SRD) Operation

SAFE LINK CLIMBING ROPE SYSTEM COMPONENTS

DO NOT WASH THIS PRODUCT IN A WASHING MACHINE!



A Safe Link climbing rope system has been included with this product(s) for your use. Please note it is included for your optional use; its use is not mandatory. It is designed to compliment lock-on, fixed position, and ladderstands. It is designed to ensure you are safely connected at all times while ascending (climbing up) and descending (climbing down) trees. Your Safe Link climbing rope system has several components: 1) climbing rope; 2) prusik hitch (six loops and prusik loop); and 3) carabiner as shown in Figure A. For safe operation, the prusik hitch **MUST** be configured as shown below in Figure A. If it is not, configured as such **DO NOT USE, REMOVE FROM SERVICE!**

The prusik hitch **MUST**:

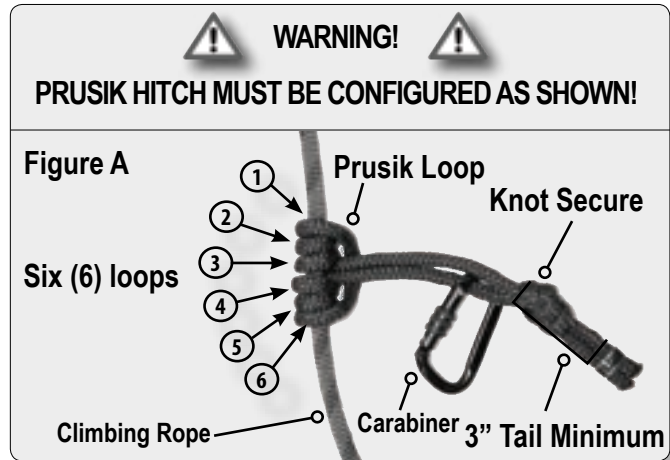
1) Have six (6) loops; 2) Have secure knot; 3) Have 3" tail beyond knot end; and 4) Lock to the climbing rope when pulled on.

If not configured in this manner, and if it does not lock to the climbing rope--**DO NOT USE!**

Remove from service and call (601) 932-5832 for replacement instructions.

Model Number: Safe Link Climbing Rope System

Maximum Weight Capacity: 300 pounds (136kg)
(One (1) User and Equipment)



- WARNING!** This Safe Link is designed to accommodate **ONE (1)** climber (user/person). Under no circumstances shall more than one (1) user attempt to use this product. Failure to follow these instructions may result in serious injury or death!
- WARNING!** The prusik hitch must be configured as shown in Figure A. If it is not, **DO NOT use!** Failure to follow these instructions will result in serious injury or death!
- WARNING!** This Safe Link climbing rope system and its components has been designed to be used only as a safety device for hunting from elevated treestands. Any other use is prohibited (i.e., towing vehicles, hoisting, lifting, load restraint, etc.). Failure to follow these instructions may result in serious injury or death!
- WARNING!** You **MUST** read all the "Warnings!" in this Instruction Manual prior to attempting to use this product(s). Failure to follow these instructions may result in serious injury or death!
- WARNING!** **DO NOT** hold or grab the prusik hitch should you experience a fall. This may cause the prusik hitch to release its hold on the climbing rope, causing it to slip and you to fall further. Failure to follow these instructions may result in serious injury or death!

SAFE LINK CLIMBING ROPE SYSTEM INSTALLATION



Figure B
Wrap Rope Around Tree Trunk



Figure C
Slip Knot End Through Loop



Figure D
Prusik Hitch on Loose End Side of Climbing Rope



Figure E
Carabiner Closed and Locked

STEP 1: Don (put on) your full-body fall arrest harness and lineman style belt which meets or exceeds industry standards recognized by TMA as outlined in its Instruction Manual.

STEP 2: Install/set-up your ladderstand, fixed position or lock-on treestand in strict accordance with its Instruction Manual and those provided with the full-body fall arrest harness Instruction Manual.

STEP 3: While using a lineman's belt per your full-body fall arrest harnesses Instruction Manual, climb to your lock-on or fixed position treestand.
 NOTE: The prusik hitch shall be snug on the climbing rope. Prior to use, check to ensure it is tight by sliding it a few feet along the climbing rope. If necessary, tighten the prusik hitch by pulling on the prusik loop to increase the tension of the prusik hitch on the climbing rope.

STEP 4: While at treestand installation height and while attached to the tree firmly with your linesmen belt, wrap the loop end of the climbing rope around the tree as shown in Figure B.

STEP 5: Slip the knot end of the climbing rope through the loop end of the climbing rope as shown in Figure C. Make certain the prusik hitch is threaded through the loop end.

STEP 6: Pull the climbing rope through the loop and allow its length to fall gently to the ground below. Make certain the prusik hitch is now positioned on the loose climbing rope side of the climbing rope as shown in Figure D.

STEP 7: To use, attach the carabiner to your full-body fall arrest tether loop making certain the carabiner is closed and the collar is locked as shown in Figure E. Make certain the knot at the end of the prusik hitch is tight and that it has at least 3" of "tail" as shown in Figure A.

SAFE LINK SYSTEM USE/ASCENDING & DESCENDING



Figure F
Slide Prusik Hitch Down
Climbing Rope



Figure G
Keep Prusik Hitch Above
Head At All Times



Figure H
Slide Prusik Hitch Up
Climbing Rope as High
as Possible



Figure I
Position Prusik Hitch as
High as Possible

DESCENDING

STEP 1: When you are ready to descend the tree, **do not disconnect** your full-body fall arrest harness tether from the climbing rope. Climb down the tree, sliding the prusik hitch down as you go as shown in Figure F.

STEP 2: Move the prusik hitch down the climbing rope frequently as you descend. Make certain to keep the prusik hitch above your head at all times (as shown in Figure G) while climbing down to limit the distance you may fall in the unlikely event you should experience a fall while descending.

STEP 3: Once you are on the ground and disconnected from your Safe Link climbing rope system, tie the knot end of the climbing rope around the tree trunk. This allows you to easily slide the prusik hitch up as you climb (ascend). Remove as much slack from the climbing rope as possible, making it as tight as possible when tying it off. This practice allows the prusik hitch to slide easily up and down the climbing rope when ascending and descending.

ASCENDING

STEP 1: Connect your full-body fall arrest harness tether to the carabiner as outlined in STEP 7 above.

STEP 2: Slide the prusik hitch up the climbing rope as high as you can *comfortably* reach without over-reaching as shown in Figure H.

STEP 3: Begin climbing to your treestand while maintaining three points of contact on your climbing sticks, steps, or ladder. When you reach the prusik hitch height, slide it up the climbing rope a high as you can *comfortably* reach without over-reaching. Continue climbing and moving the prusik hitch up as you climb until you reach your desired climbing height.

STEP 4: Once in your treestand, slide the prusik hitch up as high as possible, thus limiting the distance you may fall in the unlikely event you should experience a fall while using this product(s) as shown in Figure I. NOTE: You must raise your prusik hitch as high a possible to limit the distance you may fall in the unlikely event you experience a fall.

⚠ WARNING! You must position your prusik hitch as high up the tree trunk as possible. This practice limits the distance you will fall in the unlikely event you experience a fall. Failure to follow these instructions may result in serious injury or death!

SAFE LINK CLIMBING ROPE SYSTEM REPLACEMENT

You must replace your Safe Link if it has been subjected to severe shock loading (i.e., prevented/mitigated a fall), was exposed to any type of overloading (i.e., improper use or other), demonstrates any signs of wear (i.e., fraying, abrasion, nicking, stretching, etc.) has been subjected to inclement weather for more than two (2) weeks, has become stiff or hard, has been exposed to vandalism or animal damage (i.e., animal damage).

MILLENNIUM M-100-SL w/ M-102 RECEIVER COMPONENTS

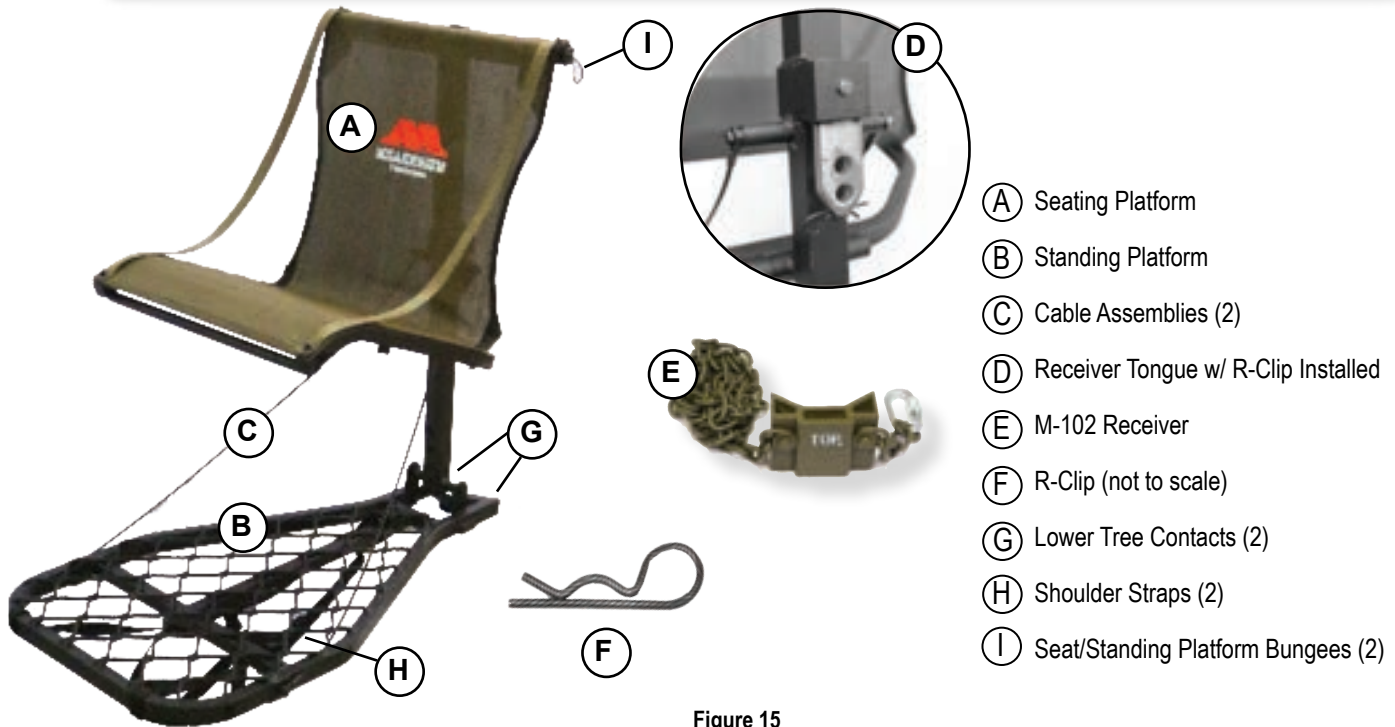


Figure 15
Components of the Millennium M-100-SL w/ M-102 Receiver

MILLENNIUM M-100-SL w/ M-102 RECEIVER INSTALLATION



- WARNING!** Prior to installing your Millennium lock-on treestand, you must install a climbing system (i.e., stacking sticks, ladders, sectionals, etc.) which meets or exceeds industry standards recognized by the TMA. Failure to follow these instructions may result in serious injury or death!
- WARNING!** Prior to attempting to use this or any other Millennium product(s) you must take a moment and become familiar with it's setup and installation at ground-level. You must practice installing, setting-up, removing, and using this product(s) at ground-level prior to attempting to use it at heights above ground-level. Once you have become thoroughly knowledgeable and comfortable with this Millennium product(s) setup, installation, removal, and use at ground-level, you're now ready to use it at heights above ground-level. Failure to follow these instructions may result in serious injury or death!
- WARNING! STOP NOW!** Make sure you are wearing your full-body fall arrest harness and lineman belt as shown in Figure 16. Failure to follow these instructions may result in serious injury or death!



Figure 16
You Must Stay Connected While Using This Product!

STEP 1: Select a straight healthy tree, one devoid of dead branches with a minimum diameter of 9" (23cm) and one that does not exceed 22" (56cm) in diameter at installation height.

NOTE: One very important note regarding the installation of your climbing system (i.e., stacking sticks, ladders, sectionals, etc.) which meets or exceeds TMA standards. You must install the climbing system so the steps extend a minimum of 2' (24" [61 cm]) (refer to Figure 17) above your standing platform height. This practice insures you're stepping off the top climbing stick down onto the standing platform. This practice also insures you have a firm and secure hand-hold while stepping onto your treestand.

- WARNING!** Install your climbing system, which meets or exceeds industry standards recognized by the TMA, so they extend a minimum of 24" above the standing platform. Failure to follow these instructions may result in serious injury or death!

STEP 2: With your climbing system which meets or exceeds industry standards recognized by the TMA installed as outlined in the Manufacturer's Instruction Manual, you are now ready to install your Millennium treestand. Always maintain three points of contact when climbing up/down climbing systems. Always use a pull-up (hoist) rope to raise and lower your treestand. Never climb with anything on your back.

PLEASE READ THIS MANUAL IN ITS ENTIRETY PRIOR TO USING THIS PRODUCT!

PLEASE READ THIS MANUAL IN ITS ENTIRETY PRIOR TO USING THIS PRODUCT!



WARNING! Never attempt to climb a tree with your treestand in hand or on your back. ALWAYS use a pull-up (hoist) rope to pull your treestand up to the desired installation height. Failure to follow these instructions may result in serious injury or death!

STEP 3: Tie your pull-up (hoist) rope to the Millennium lock-on treestand. Attach your pull-up (hoist) rope so the treestand does not open while being hoisted. With the standing and seating platforms folded, engage them using the seating/standing platform bungees (refer to Figure 15) as shown in Figure 18. Should the treestand open while being pulled-up (hoisted) it will become awkward and dangerously clumsy.

STEP 4: With your treestand attached to the pull-up (hoist) rope, and the tag-end in your possession (do not hold in hand), and your M-102 receiver (refer to Figure 15) in your possession (do not hold in hand), check to ensure your lineman belt is properly secured to you and is attached to the tree and carefully climb to the desired installation height.

STEP 5: Once you reach the desired treestand installation height, re-check to ensure your lineman belt is properly secured to you and the tree. Make certain you are balanced and secure on your climbing system.

STEP 6: Once securely standing on your climbing system at your desired treestand installation height, and with your lineman belt securing you to the tree, wrap the M-102 receiver's chain around the tree trunk, making certain the "UP" on the BACK of the receiver is facing up, as shown in Figure 19.

STEP 7: Insert the chain into the quick link as shown in Figure 20. Make certain to remove as much slack from the chain as possible. NOTE: The chain **will not be tight** no matter how much slack is removed.

STEP 8: With the chain in the quick link, engage the quick link by turning the threaded collar until it is secured closed as shown in Figure 21.

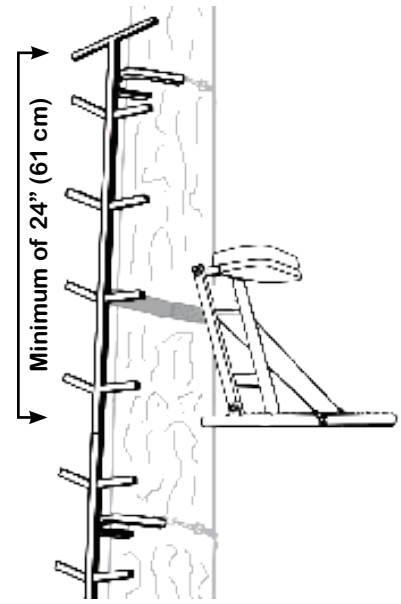


Figure 17
Climbing system installed a minimum of 24" above standing platform



Figure 18
Seating/Standing Platform Bungee Engaged

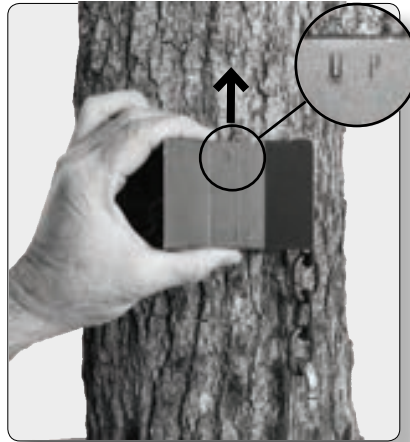


Figure 19
M-102 Receiver Positioned Upward



Figure 20
Connect Chain to Quick Link



Figure 21
Connect Chain to Quick Link



Figure 22
Rotate Receiver Downward to Tighten Chain



Figure 23
Lower Stand Into Receiver

PLEASE READ THIS MANUAL IN ITS ENTIRETY PRIOR TO USING THIS PRODUCT!

PLEASE READ THIS MANUAL IN ITS ENTIRETY PRIOR TO USING THIS PRODUCT!



Figure 24
Insert R-Clip Into Receiver Tongue



Figure 25
Lower Standing Platform/Seat

STEP 9: With the quick link secured (closed), rotate the receiver DOWNWARD to cam it (i.e., tightening the chain) to the tree trunk as shown in Figure 22. The receiver should now be flush and square to the tree trunk with the "TOP" label showing. If the receiver is NOT flush and square, lift up on the receiver and re-seat it and re-rotate (cam) it until it is flush and square to the tree trunk.

STEP 10: With the M-102 receiver firmly installed, hoist your treestand up using the previously installed hoist rope. With the treestand still folded, gently lower the receiver tongue (refer to Figure 15) into the M-102 receiver as shown in Figure 23.

STEP 11: With the receiver tongue seated in the M-102 receiver, insert the R-Clip (refer to Figure 15) into the bottom of the receiver tongue as shown in Figure 24. You must install the R-Clip as outlined here, or an unsafe condition will exist.

WARNING! Failure to install the R-Clip will result in an unsafe condition which will lead to treestand failure. YOU MUST install the R-Clip as outlined here. Failure to follow these instructions will lead to serious injury or death!

STEP 12: With the R-Clip installed as previously outlined, gently lower the standing platform as shown in Figure 25. Once the standing platform has been lowered, the two (2) lower tree contacts (refer to Figure 15) must engage the tree trunk for the treestand to operate safely. If they do not engage the tree trunk as shown in Figure 26, you must remove the treestand and reinstall it as outlined here until the lower tree contacts are firmly engaged to the tree trunk.

WARNING! Failure to engage the lower tree contacts will result in an unsafe condition which will lead to treestand failure. YOU MUST engage the lower tree contacts. Failure to follow these instructions will lead to serious injury or death!

STEP 13: With the standing platform lowered and the lower tree contacts firmly engaged to the tree trunk, gently lower the seat into position.

LOWER TREE CONTACTS

Your new Millennium is equipped with a lower set of tree contacts (refer to Figure 15). These MUST be in contact with the tree trunk when the stand is installed as shown in Figure 26. These contacts provide a solid installation foundation. If these are not in contact with the tree trunk, your treestand is NOT installed correctly and may fail. YOU MUST ENSURE THESE ARE IN FIRM CONTACT WITH THE TREE FOLLOWING INSTALLATION. IF THEY ARE NOT, REMOVE YOUR TREESTAND AND REINSTALL UNTIL THEY ARE IN FIRM CONTACT WITH THE TREE TRUNK.

WARNING! The lower tree contacts MUST be in firm contact to the tree trunk following installation, if they are not, an unsafe condition exists. DO NOT use your treestand if the contacts are not firmly engaged with the tree trunk. Failure to follow these instructions will lead to serious injury or death!



Figure 26
Tree Contacts
Must Engage Tree
Trunk

GAINING ACCESSING TO AND FROM TREESTAND



It is of the utmost importance you remain connected while entering and exiting your Millennium treestand. Most treestand accidents involving lock-on style treestands occur while the user is either entering or exiting their treestand. For this reason, you MUST stay connected.

While remaining attached to the tree with your full-body fall arrest lineman belt, attach the tree belt of the full-body fall arrest harness to the tree trunk at a location above the seat. Both the lineman belt and tether of the tree belt of the full body fall arrest harness shall be attached at the same time. Disconnect the lineman belt and climb above standing platform and step gently down onto the center of the standing platform toward the tree trunk. This allows the treestand to seat itself to the tree. If there is excessive looseness, step off the treestand and back onto the climbing system. Disconnect the treestand and repeat the previous installation STEPS after re-connecting your lineman belt.

PLEASE READ THIS MANUAL IN ITS ENTIRETY PRIOR TO USING THIS PRODUCT!

PLEASE READ THIS MANUAL IN ITS ENTIRETY PRIOR TO USING THIS PRODUCT!

REMOVING YOUR TREESTAND



WARNING! STOP NOW!!!! Make sure that you are wearing your full-body fall arrest harness system which meets or exceeds industry standards recognized by the TMA. Failure to follow these instructions may result in serious injury or death!



WARNING! Prior to attempting to use this or any other Millennium product(s) you must take the time and become familiar with its setup, installation, use and/or removal at ground-level. You must practice installing, setting-up, using and removing this product(s) at ground-level prior to attempting to use it at heights above ground-level. Once you have become thoroughly knowledgeable and comfortable with this Millennium product(s) setup, installation, use and removal at ground-level, you are now ready to use it at heights above ground-level. Failure to follow these instructions may result in serious injury or death!



WARNING! STOP NOW! Make sure you are wearing your full-body fall arrest harness and lineman belt as outlined throughout this Instruction Manual. Failure to follow these instructions may result in serious injury or death!

STEP 1: You will require a pull-up (hoist) rope for these removal STEPS. While safely standing on your climbing system (i.e., stacking sticks, ladders, sectionals, etc.), which meets or exceeds industry standards recognized by the TMA, at treestand installation height, re-check to ensure your lineman belt is properly secured to you and the tree. Fold the standing and seating platforms up and securing using the seating/standing platform bungees as shown in Figure 18. Tie your pull-up (hoist) rope to the folded stand.

STEP 2: With the stand under your control (i.e., a firm hold on it), remove the R-Clip and gently lift it from the M-102 receiver. Gently lower the treestand to the ground using your hoist rope. Never allow the treestand to fall to the ground as this will result in damage to the treestand and may result in treestand failure. Disconnect the M-102 receiver. Climb back down to ground-level using your lineman belt.

CARE AND MAINTENANCE/WARRANTY

Your new Millennium treestand is factory finished with a state-of-the-art powder coating that guarantees years of trouble-free service. It is recommended that you store your treestand out of direct sunlight and out of any other harsh environmental condition(s) that may adversely affect its performance.

IMPORTANT WARRANTY INFORMATION

Millennium Outdoors, LLC warrants this Millennium product against defect(s) in material and workmanship, under proper use and storage for the period of one (1) year from the date of purchase. Proof of purchase, plus, the return of your warranty application card to our home office, is required for any warranty claim. In the event this product is found to be defective within the warranty period, Millennium Outdoors, LLC only obligation and your exclusive remedy shall be replacement or repair of any defective parts at our discretion. To obtain warranty service, please contact Millennium Outdoors, LLC customer service at (601) 932-5832. Exclusions to this warranty include seat, paint, plastics, webbing and/or defects caused by operator misuse and/or abuse. Limitation to liability include the forgoing warranty is made in lieu of all other warranties, express or implied and Millennium Outdoors, LLC disclaims any implied warranty of merchantability and fitness. Millennium Outdoors, LLC shall not be liable for any damages direct, consequential or incidental arising out of the use or inability of this product.

WARRANTY APPLICATION CARD

I have read and understand the safety, assembly and operating instructions provided with my Millennium treestand. I fully understand the importance of using the full-body fall arrest safety harness which meets or exceeds industry standards recognized by the TMA, and realize that if I choose not to use the full-body fall arrest safety harness I am putting myself at an increased risk of injury should an accident occur while I am utilizing this Millennium product(s). I have read the warranty information and know that I can call Millennium at (601) 932-5832 with any questions or concerns that I may have about this or any other Millennium product(s). Mail to: Millennium Outdoors, LLC, 201 Fairmont Plaza, Pearl, MS 39208, (601) 932-5832.

NAME _____ PURCHASED WHERE _____

ADDRESS _____

CITY/STATE/ZIP _____

PURCHASE DATE _____

PRODUCT _____

PLEASE READ THIS MANUAL IN ITS ENTIRETY PRIOR TO USING THIS PRODUCT!

PLEASE READ THIS MANUAL IN ITS ENTIRETY PRIOR TO USING THIS PRODUCT!

PLEASE READ THIS MANUAL IN ITS ENTIRETY PRIOR TO USING THIS PRODUCT!



Millennium Outdoors, LLC 201 Fairmont Plaza Pearl, Mississippi 39208 (601) 932-5832
millenniumstands.com

PLEASE READ THIS MANUAL IN ITS ENTIRETY PRIOR TO USING THIS PRODUCT!